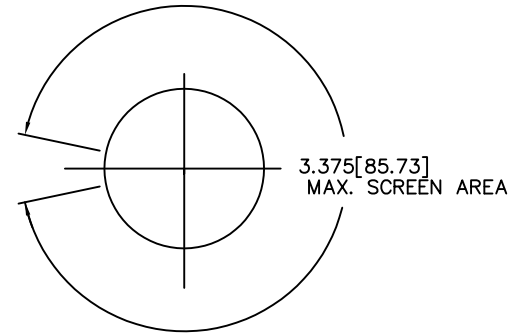
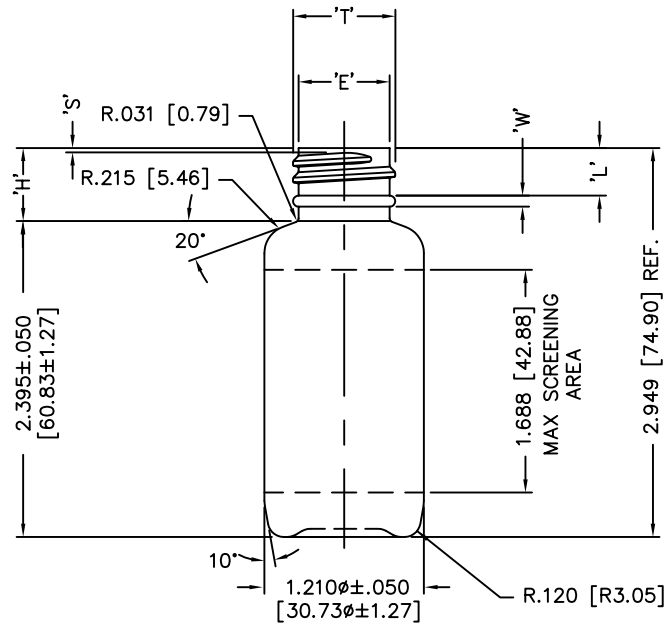


DISCLAIMER: CUSTOM BOTTLE INC.
ASSUMES NO RESPONSIBILITY FOR:
-FORM, FIT AND FUNCTION OF CLOSURES
-SHELF LIFE AND/OR COMPATIBILITY OF
INTENDED CONTENTS WITH THIS BOTTLE.

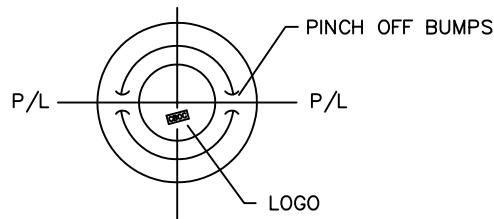
'T' AND 'E' DIMENSIONS ARE THE
AVERAGE OF TWO MEASUREMENTS
TAKEN 90° APART.
THE LIMITS OF QUALITY WILL BE
DETERMINED PER APPLICATION AS
NECESSARY.

DIMENSIONS IN [] ARE
IN MILLIMETERS
ALL OTHERS INDICATED
ARE IN INCHES
This drawing subject to
standard industry tolerances
S.P.I.

CUSTOM BOTTLE
APPROVAL:
APPROVED BY **BP**
DATE **MAY 27/11**
CUSTOMER
APPROVAL:
APPROVED BY
DATE



NOTE: MINIMUM WALL THICKNESS .012" [.30]



MAT,L	GW.	O/F
HDPE	6.0±.5	41ml ±2.0
LDPE	7.5±.5	37.4ml±2.5
P.P.	6.0±.5	39.2l±2.5

NO.	REV.	BY	DESCRIPTION	DATE

NECK FINISH: M20 SP410			GRAM WT. AS NOTED		
'T'	'E'	'H'	'S'	'L'	'I'
.775 ±.008	.691 ±.008	.554 ±.015	.037 ±.015	.361 MIN	.404 MIN.
19.69 ±0.20	17.55 ±0.20	14.07 ±0.38	0.94 ±0.38	9.14 MIN.	10.26 MIN.
HELIX <: 3' 7'		T.P.I.: 8	CUTT. DIA.: .375 [9.53]		

OVERFLOW CAPACITY BEFORE DECORATING

CUSTOM BOTTLE Custom Bottle Inc.
10 Great Hill Road
P.O. Box 720
Naugatuck, Connecticut 06770
203-723-6661

DRAWN BY: ds	DESC.: 1 1/4oz BOSTON RD.
SCALE: 1-1	DATE: JAN.21/03
BOTTLE MAT'L: AS NOTED	DRAWING NO.: 107-5464-STOCK
C.B.I.D.: #27	MOULD NO.: