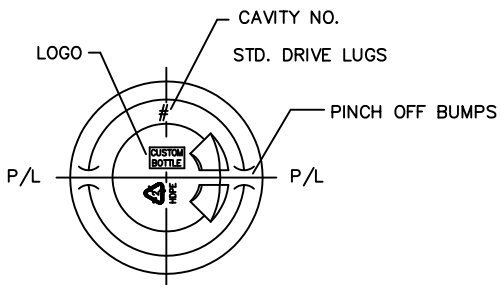
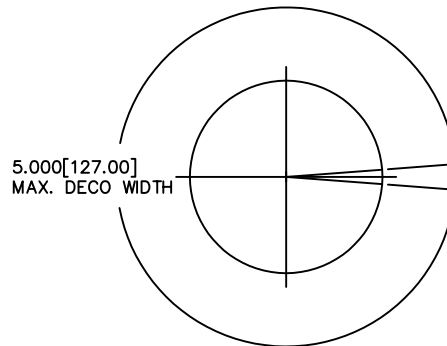
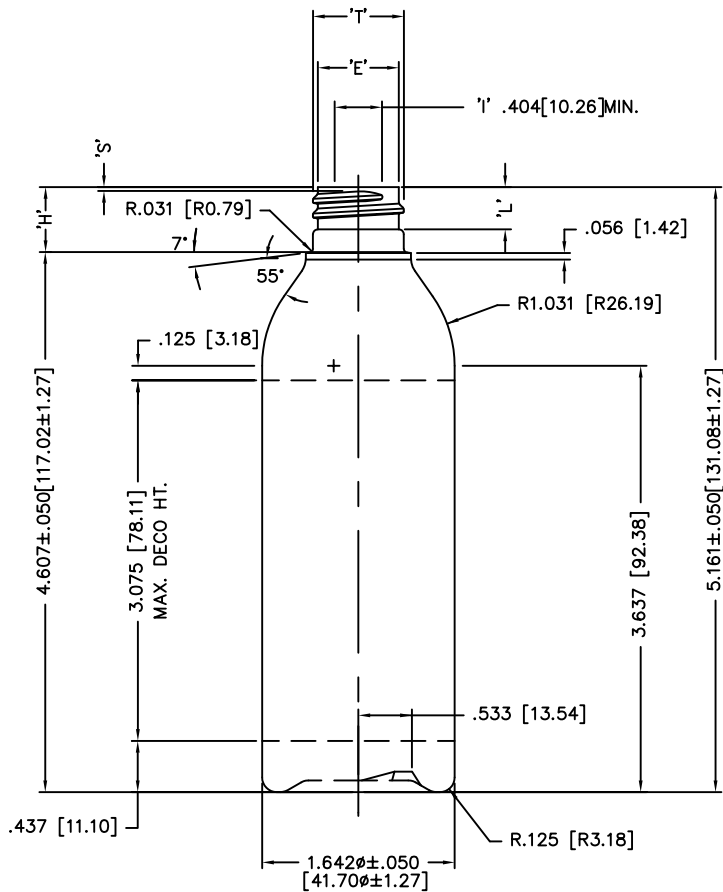


DISCLAIMER: CUSTOM BOTTLE INC.
ASSUMES NO RESPONSIBILITY FOR:
-FORM, FIT AND FUNCTION OF CLOSURES
-SHELF LIFE AND/OR COMPATIBILITY OF
INTENDED CONTENTS WITH THIS BOTTLE.

'T' AND 'E' DIMENSIONS ARE THE
AVERAGE OF TWO MEASUREMENTS
TAKEN 90° APART.
THE LIMITS OF QUALITY WILL BE
DETERMINED PER APPLICATION AS
NECESSARY.

DIMENSIONS IN [] ARE
IN MILLIMETERS
ALL OTHERS INDICATED
ARE IN INCHES
This drawing subject to
standard industry tolerances
S.P.I.

CUSTOM BOTTLE
APPROVAL:
APPROVED BY **BP**
DATE **NOV. 23/10**
CUSTOMER
APPROVAL:
APPROVED BY
DATE



NO.	REV.	BY	DESCRIPTION			DATE
NECK FINISH: M20 SP410			GRAM WT. 15 ±1.0			
'T'	'E'	'H'	'S'	'L'	'I'	
.775 ±.008	.691 ±.008	.554 ±.015	.037 ±.015	.361 MIN	.404 MIN	
19.69 ±0.20	17.55 ±0.20	14.07 ±0.38	0.94 ±0.38	9.14 MIN.	10.26 MIN.	
HELIX <: 3' 7'		T.P.I.: 8	CUTT. DIA.: .375 [9.53]			
OVERFLOW CAPACITY BEFORE DECORATING				136.2ml±5		
CUSTOM BOTTLE			Custom Bottle Inc. 10 Great Hill Road P.O. Box 720 Naugatuck, Connecticut 06770 203-723-6661			
DRAWN BY: 1130		DESC.: 125ml MILLENNIUM RD.				
SCALE: 1-1	DATE: JULY.8/04		DRAWING NO.: 107-6277-STOCK			
BOTTLE MAT'L: HDPE		MOULD NO.:				
C.B.I.D.: #277						