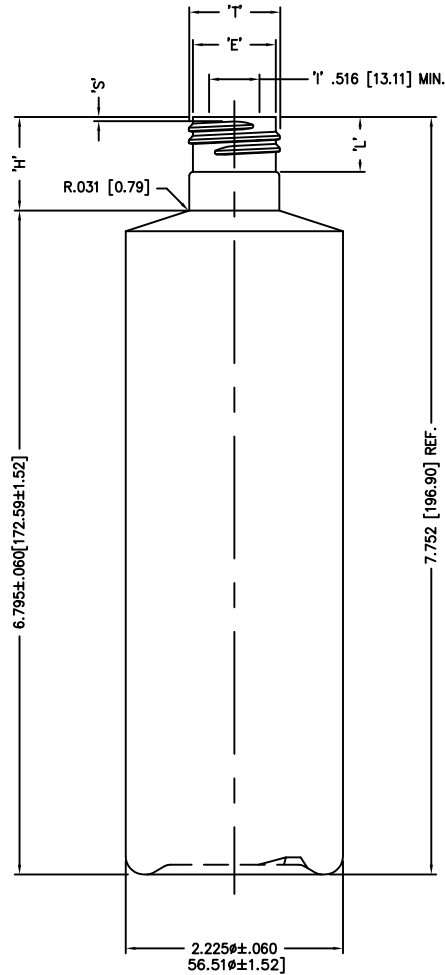
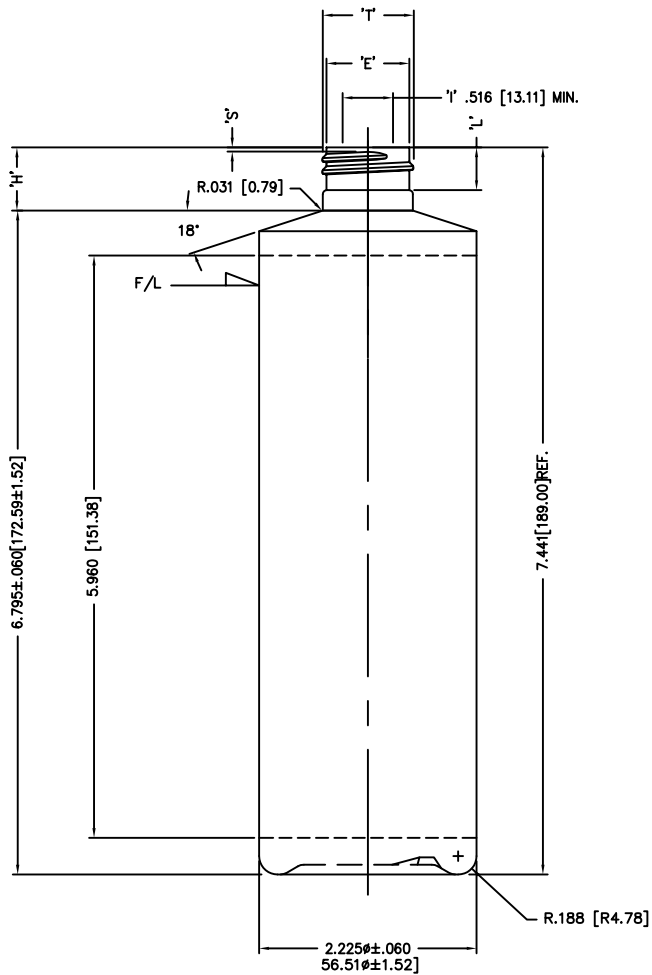


DISCLAIMER: CUSTOM BOTTLE INC.  
ASSUMES NO RESPONSIBILITY FOR:  
-FORM, FIT AND FUNCTION OF CLOSURES  
-SHELF LIFE AND/OR COMPATIBILITY OF  
INTENDED CONTENTS WITH THIS BOTTLE.

'T' AND 'E' DIMENSIONS ARE THE  
AVERAGE OF TWO MEASUREMENTS  
TAKEN 90° APART.  
THE LIMITS OF QUALITY WILL BE  
DETERMINED PER APPLICATION AS  
NECESSARY.

DIMENSIONS IN [ ] ARE  
IN MILLIMETERS  
ALL OTHERS INDICATED  
ARE IN INCHES  
This drawing subject to  
standard industry tolerances  
S.P.I.

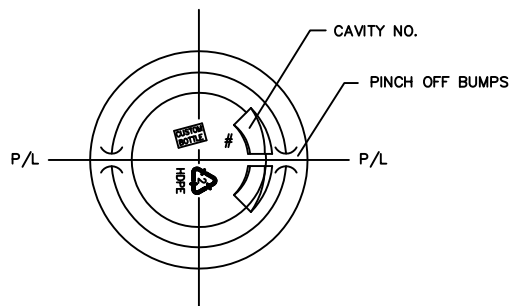
CUSTOM BOTTLE  
APPROVAL:  
APPROVED BY **BP**  
DATE **NOV. 23/10**  
CUSTOMER  
APPROVAL:  
APPROVED BY .....  
DATE .....



**ALTERNATE NECK**  
M24 SP415

'T': .932±.008 [23.67±0.20]  
'E': .848±.008 [21.54±0.20]  
'H': .957±.015 [24.31±0.38]  
'S': .046±.015 [1.17±.38]  
'L': .561 MIN. [14.25 MIN.]  
HELIX : 2'34'  
T.P.I.: 8  
CUTT DIA: .375 [9.53]  
GW. WT.: 30±2.0  
O/F/C: 396ml±11

NOTE: MIN. WALL .012 [.30]



NO.	REV.	BY	DESCRIPTION	DATE	
NECK FINISH: M24 SP410			GRAM WT. 29±2.0		
'T'	'E'	'H'	'S'	'L'	'I'
.932 ±.008	.848 ±.008	.646 ±.015	.046 ±.015	.437 MIN.	_____
23.67 ±0.20	21.54 ±0.20	16.41 ±0.38	1.17 ±0.38	11.10 MIN.	_____
HELIX <:	2' 34'	T.P.I.:	8	CUTT. DIA.:	.375 [9.53]
OVERFLOW CAPACITY BEFORE DECORATING				396ml±11	
			Custom Bottle Inc. 10 Great Hill Road P.O. Box 720 Naugatuck, Connecticut 06770 203-723-6661		
			DRAWN BY: 1130		
SCALE: 1-1		DATE: APR.30/03			
BOTTLE MAT'L: HDPE			DRAWING NO.: 107-5599-STOCK		
C.B.I.D.: #41			MOULD NO.:		