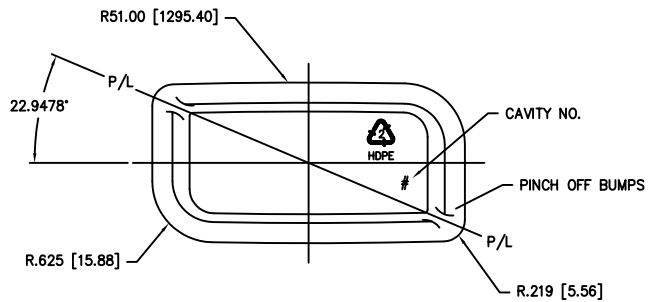
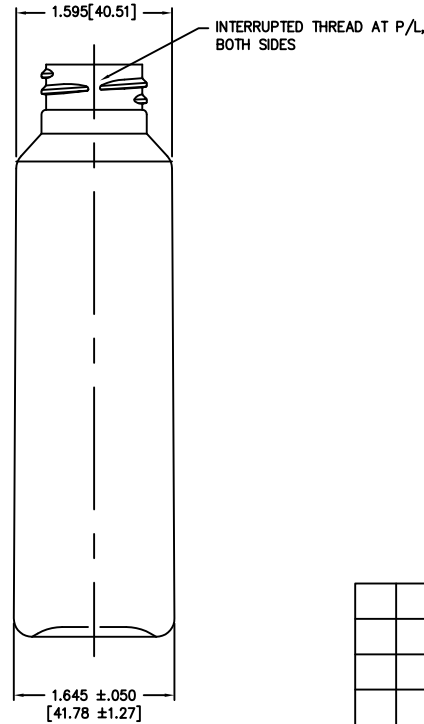
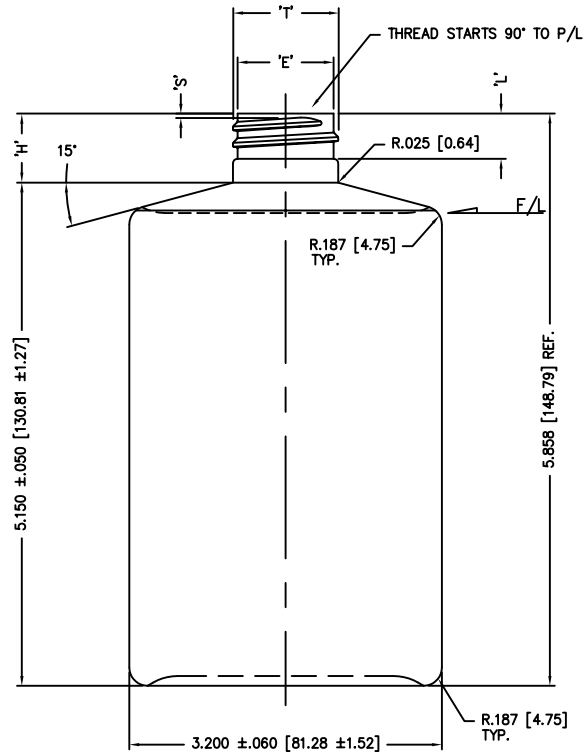


DISCLAIMER: CUSTOM BOTTLE INC.
ASSUMES NO RESPONSIBILITY FOR:
-FORM, FIT AND FUNCTION OF CLOSURES
-SHELF LIFE AND/OR COMPATIBILITY OF
INTENDED CONTENTS WITH THIS BOTTLE.

'T' AND 'E' DIMENSIONS ARE THE
AVERAGE OF TWO MEASUREMENTS
TAKEN 90° APART.
THE LIMITS OF QUALITY WILL BE
DETERMINED PER APPLICATION AS
NECESSARY.

DIMENSIONS IN [] ARE
IN MILLIMETERS
ALL OTHERS INDICATED
ARE IN INCHES
This drawing subject to
standard industry tolerances
S.P.I.

CUSTOM BOTTLE
APPROVAL:
APPROVED BY **BP**
DATE **NOV. 23/10**
CUSTOMER
APPROVAL:
APPROVED BY
DATE



NO.	REV.	BY	DESCRIPTION				DATE
NECK FINISH: M28 SP410			GRAM WT. 33 ±2				
'T'	'E'	'H'	'S'	'L'	'I'		
1.078 ±0.010	.984 ±0.010	.708 ±0.015	.046 ±0.015	.463 MIN.			
27.38 ±0.25	24.99 ±0.25	17.98 ±0.38	1.17 ±0.38	11.94 MIN.			
HELIX <: 2' 57'		T.P.I.: 6	CUTT. DIA.: .500				
OVERFLOW CAPACITY BEFORE DECORATING						381 ml ±9	
CUSTOM BOTTLE			Custom Bottle Inc. 10 Great Hill Road P.O. Box 720 Naugatuck, Connecticut 06770 203-723-6661				
DRAWN BY: 1130		DESC.: 12oz. CUSTOM OVAL					
SCALE: 1-1	DATE: 17/7/97		DRAWING NO.: 107-3344-STOCK				
BOTTLE MAT'L: HDPE		C.B.I.D.: #210					
		MOULD NO.:					