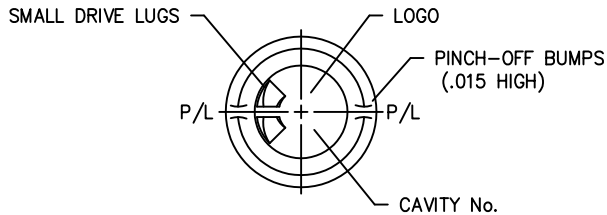
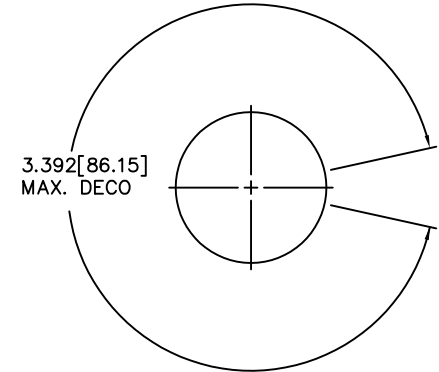
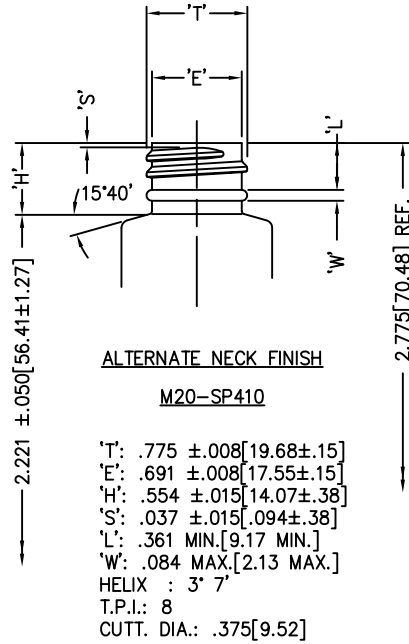
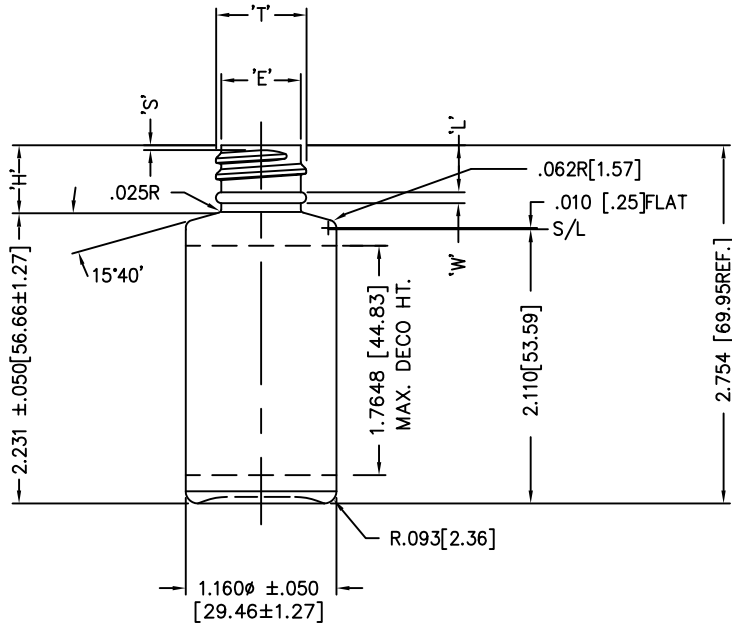


DISCLAIMER: CUSTOM BOTTLE INC.  
ASSUMES NO RESPONSIBILITY FOR:  
-FORM, FIT AND FUNCTION OF CLOSURES  
-SHELF LIFE AND/OR COMPATIBILITY OF  
INTENDED CONTENTS WITH THIS BOTTLE.

'T' AND 'E' DIMENSIONS ARE THE  
AVERAGE OF TWO MEASUREMENTS  
TAKEN 90° APART.  
THE LIMITS OF QUALITY WILL BE  
DETERMINED PER APPLICATION AS  
NECESSARY.

DIMENSIONS IN [ ] ARE  
IN MILLIMETERS  
ALL OTHERS INDICATED  
ARE IN INCHES  
This drawing subject to  
standard industry tolerances  
S.P.I.

CUSTOM BOTTLE  
APPROVAL:  
APPROVED BY **BP**  
DATE **APR. 29/10**  
CUSTOMER  
APPROVAL:  
APPROVED BY .....  
DATE .....



NO.	REV.	BY	DESCRIPTION	DATE	
NECK FINISH:			M18 SP410	GRAM WT. 5.5 ±1	
'T'	'E'	'H'	'S'	'L'	'I'
.696 ± .008	.612 ± .008	.523 ± .015	.037 ± .015	.361 MIN	.084 MAX
17.68 ± 0.15	15.54 ± 0.15	13.28 ± 0.38	0.94 ± 0.38	9.17 MIN.	2.13 MAX
HELIX <: 3° 30'		T.P.I.: 8	CUTT. DIA.: .375		
OVERFLOW CAPACITY BEFORE DECORATING				37ml ±2.5	
<b>CUSTOM BOTTLE</b>			Custom Bottle Inc. 10 Great Hill Road P.O. Box 720 Naugatuck, Connecticut 06770 203-723-6661		
DRAWN BY: D		DESC.: 1oz. CYLINDER			
SCALE: 1-1		DATE:		DRAWING NO.: 107-3853-STOCK	
BOTTLE MAT'L: PVC		C.B.I.D.: #20			
		MOULD NO.:			