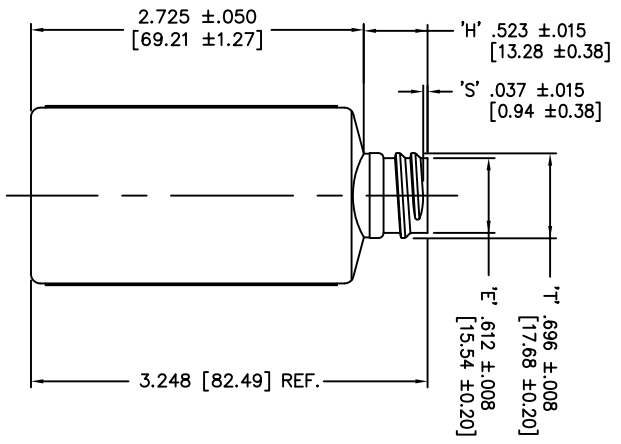
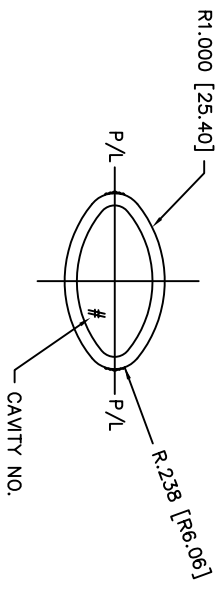
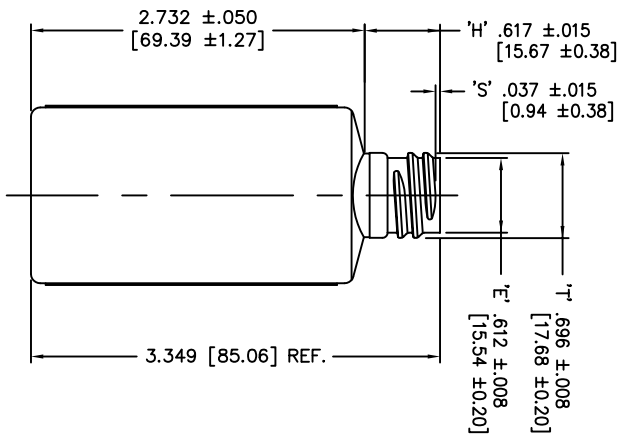


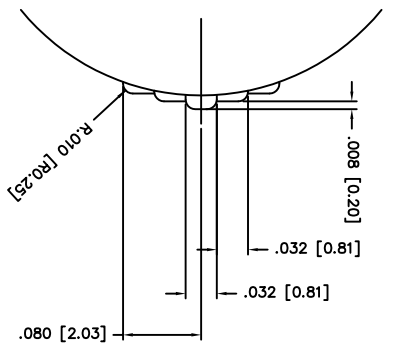
M18-SP410



M18-SP415



RIB DETAIL
SCALE: 10-1



This drawing subject to standard industry tolerances S.P.I.

CUSTOM BOTTLE APPROVAL: **APPROVED**
 NECK FINISH:
 WEIGHT:
 CAPACITY:
 MATERIAL:
 SPECIAL REQUESTS:
 CUSTOMER APPROVAL:
 APPROVED BY:
 DATE:

NO.	REV.	BY	DESCRIPTION	GRAM WT.	7.5 ±1.5	DATE
NECK FINISH: M18-SP415						
T'	E'	H'	S'	L'	T'	
.575 ±.006	.515 ±.006	.557 ±.015	.037 ±.015			
14.60 ±0.15	13.08 ±0.15	14.14 ±0.38	.94 ±0.38			
HELIX <: 2.46'	T.P.I.: 12	CUTT. DIA.: .375[9.52]	OVERFLOW CAPACITY BEFORE DECORATING 33.3ml ±2			
Custom Bottle Inc. 10 Great Hill Road P.O. Box 720 Naugatuck, Connecticut 06770 203-723-6300						
DRAWN BY: 1130		DESC.: 1oz. PVC RIBBED OVAL				
SCALE: 1-1		DATE: FEB. 18/09		DRAWING NO.: 107-8484-P		
BOTTLE MAT'L: PVC		C.B.I.D.: #156				