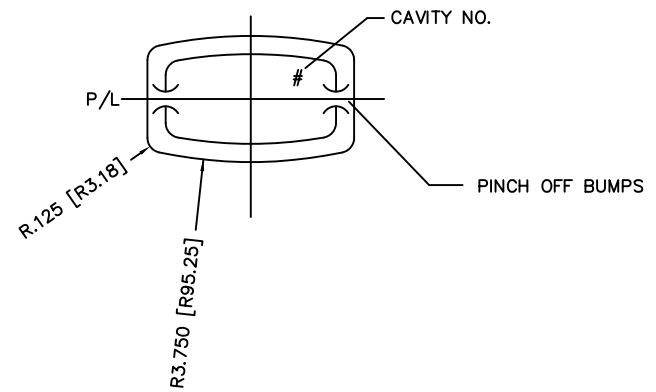
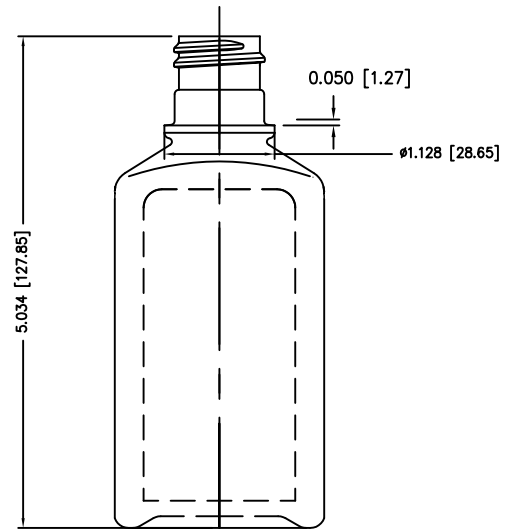
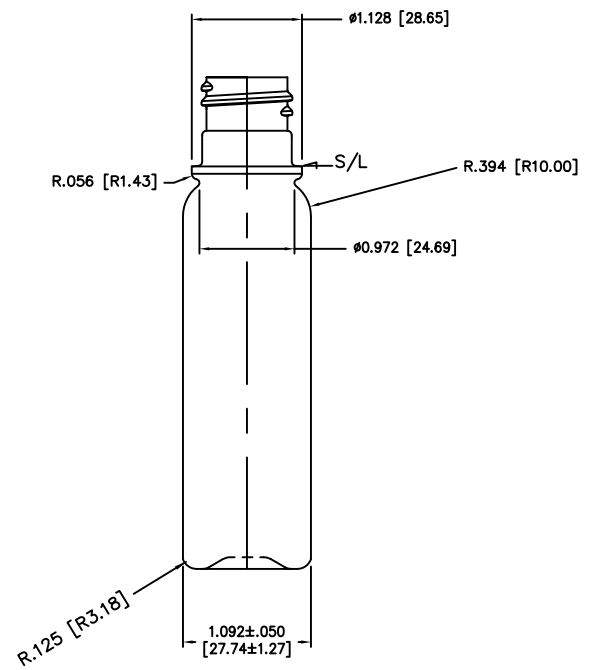
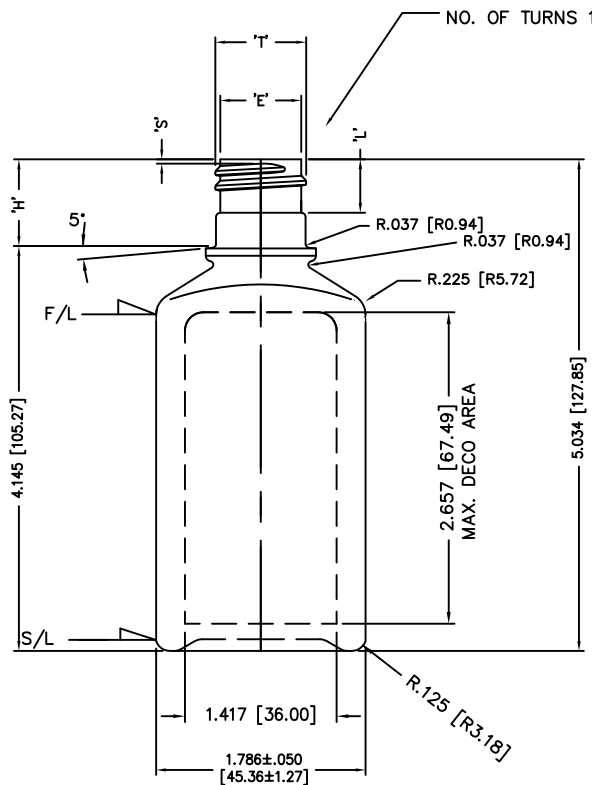


DISCLAIMER: CUSTOM BOTTLE INC.
ASSUMES NO RESPONSIBILITY FOR:
-FORM, FIT AND FUNCTION OF CLOSURES
-SHELF LIFE AND/OR COMPATIBILITY OF
INTENDED CONTENTS WITH THIS BOTTLE.

'T' AND 'E' DIMENSIONS ARE THE
AVERAGE OF TWO MEASUREMENTS
TAKEN 90° APART.
THE LIMITS OF QUALITY WILL BE
DETERMINED PER APPLICATION AS
NECESSARY.

DIMENSIONS IN [] ARE
IN MILLIMETERS
ALL OTHERS INDICATED
ARE IN INCHES
This drawing subject to
standard industry tolerances
S.P.I.

CUSTOM BOTTLE
APPROVAL:
APPROVED BY **BP**
DATE **APR. 29/10**
CUSTOMER
APPROVAL:
APPROVED BY
DATE



NO.	REV.	BY	DESCRIPTION	DATE	
NECK FINISH: M20-SP410 (SPECIAL 'H')			GRAM WT. 10±1.0		
'T'	'E'	'H'	'S'	'L'	'I'
.775 ±.008	.691 ±.008	.742 ±.015	.037 ±.015	.456 MIN	_____
19.69±.20	17.55±.20	18.85±.38	.94±.38	11.58 MIN.	_____
HELIX <: 3' 7'		T.P.I.: 8	CUTT. DIA.: .375[9.53]		
OVERFLOW CAPACITY BEFORE DECORATING				89ml±4	

CUSTOM BOTTLE
Custom Bottle Inc.
10 Great Hill Road
P.O. Box 720
Naugatuck, Connecticut 06770
203-723-6661

DRAWN BY:	DESC.: 2.5oz SHELFLINE
SCALE: 1-1 DATE:	DRAWING NO.: 107-7371-STOCK
BOTTLE MAT'L: HDPE	1
C.B.I.D.: #424	MOULD NO.: