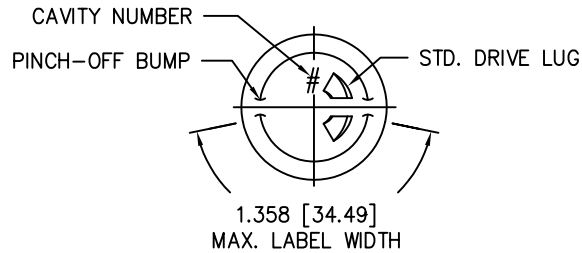
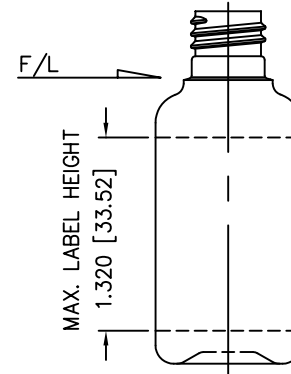
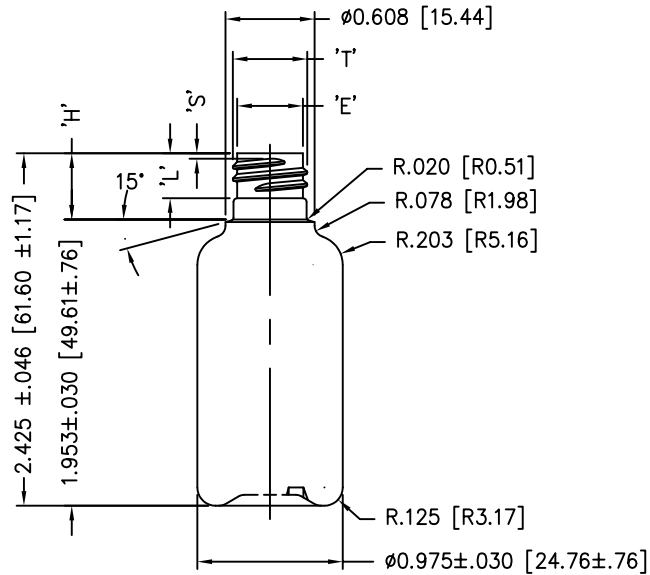


DISCLAIMER: CUSTOM BOTTLE INC.  
ASSUMES NO RESPONSIBILITY FOR:  
-FORM, FIT AND FUNCTION OF CLOSURES  
-SHELF LIFE AND/OR COMPATIBILITY OF  
INTENDED CONTENTS WITH THIS BOTTLE.

'T' AND 'E' DIMENSIONS ARE THE  
AVERAGE OF TWO MEASUREMENTS  
TAKEN 90° APART.  
THE LIMITS OF QUALITY WILL BE  
DETERMINED PER APPLICATION AS  
NECESSARY.

DIMENSIONS IN [ ] ARE  
IN MILLIMETERS  
ALL OTHERS INDICATED  
ARE IN INCHES  
This drawing subject to  
standard industry tolerances  
S.P.I.

CUSTOM BOTTLE  
APPROVAL:  
APPROVED BY **BP**  
DATE **NOV. 23/10**  
CUSTOMER  
APPROVAL:  
APPROVED BY .....  
DATE .....



NO.	REV.	BY	DESCRIPTION	DATE	
NECK FINISH: M13-SP415			GRAM WT. 3.25 ±0.5g		
'T'	'E'	'H'	'S'	'L'	'I'
.508 ±.006	.448 ±.006	.452 ±.015	.037 ±.015	.306 MIN.	_____
12.90±.15	11.38±.15	11.48±.38	.94±.38	7.77 MIN.	_____
HELIX <: 3' 11'		T.P.I.: 12	CUTT. DIA.: .375		
OVERFLOW CAPACITY BEFORE DECORATING				20.7 ±0.7ml	
<b>CUSTOM BOTTLE</b>			Custom Bottle Inc. 10 Great Hill Road P.O. Box 720 Naugatuck, Connecticut 06770 203-723-6661		
DRAWN BY: 1130		DESC.: 20ml ROUND			
SCALE: 1-1	DATE: NOV.17/09				
BOTTLE MAT'L: HDPE		DRAWING NO.: 82-26847-STOCK			
C.B.I.D.: #343		MOULD NO.:			