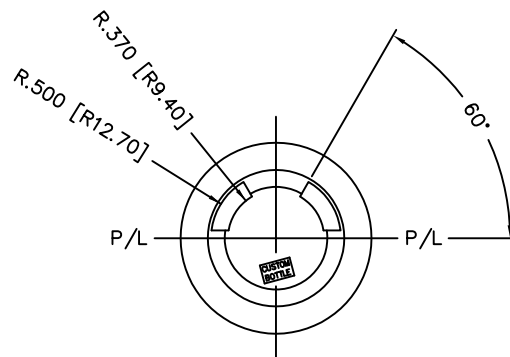
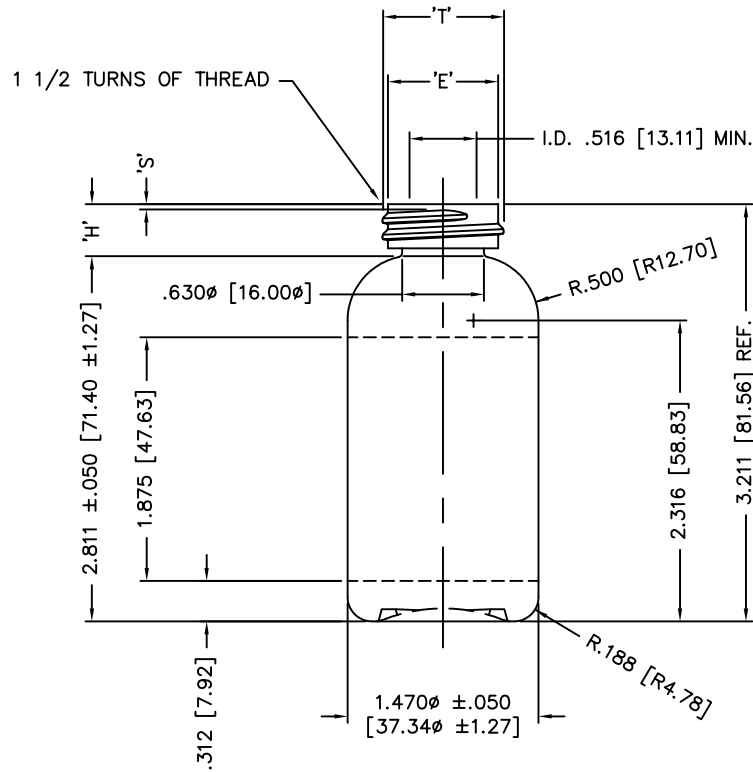


DISCLAIMER: CUSTOM BOTTLE INC.
ASSUMES NO RESPONSIBILITY FOR:
-FORM, FIT AND FUNCTION OF CLOSURES
-SHELF LIFE AND/OR COMPATIBILITY OF
INTENDED CONTENTS WITH THIS BOTTLE.

'T' AND 'E' DIMENSIONS ARE THE
AVERAGE OF TWO MEASUREMENTS
TAKEN 90° APART.
THE LIMITS OF QUALITY WILL BE
DETERMINED PER APPLICATION AS
NECESSARY.

DIMENSIONS IN [] ARE
IN MILLIMETERS
ALL OTHERS INDICATED
ARE IN INCHES
This drawing subject to
standard industry tolerances
S.P.I.

CUSTOM BOTTLE
APPROVAL:
APPROVED BY **BP**
DATE **APR. 29/10**
CUSTOMER
APPROVAL:
APPROVED BY
DATE



NO.	REV.	BY	DESCRIPTION	DATE	
NECK FINISH: M24 SP400			GRAM WT. 9 ±1		
'T'	'E'	'H'	'S'	'L'	'I'
.932 ±.008	.848 ±.008	.400 ±.015	.046 ±.015		
23.67 ±0.20	21.54 ±0.20	10.16 ±0.38	1.17 ±0.38		
HELIX <: 2' 34'		T.P.I.: 8	CUTT. DIA.: .375[9.53]		
OVERFLOW CAPACITY BEFORE DECORATING				70ml ±3.5	
CUSTOM BOTTLE			Custom Bottle Inc. 10 Great Hill Road P.O. Box 720 Naugatuck, Connecticut 06770 203-723-6661		
DRAWN BY: D		DESC.: 2oz. BOSTON ROUND			
SCALE: 1-1		DATE:		DRAWING NO.107-5332-STOCK	
BOTTLE MAT'L: HDPE/LDPE			1		
C.B.I.D.: #416		MOULD NO.:			