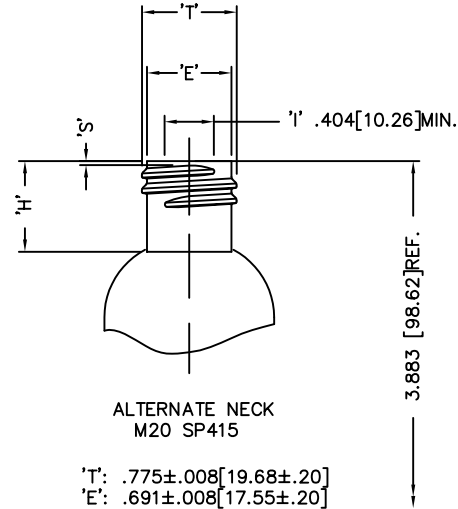
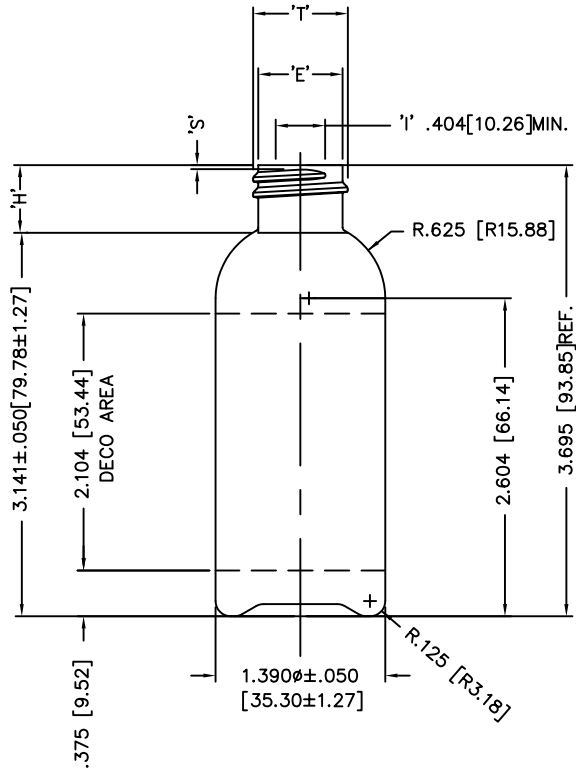


DISCLAIMER: CUSTOM BOTTLE INC.
ASSUMES NO RESPONSIBILITY FOR:
-FORM, FIT AND FUNCTION OF CLOSURES
-SHELF LIFE AND/OR COMPATIBILITY OF
INTENDED CONTENTS WITH THIS BOTTLE.

'T' AND 'E' DIMENSIONS ARE THE
AVERAGE OF TWO MEASUREMENTS
TAKEN 90° APART.
THE LIMITS OF QUALITY WILL BE
DETERMINED PER APPLICATION AS
NECESSARY.

DIMENSIONS IN [] ARE
IN MILLIMETERS
ALL OTHERS INDICATED
ARE IN INCHES
This drawing subject to
standard industry tolerances
S.P.I.

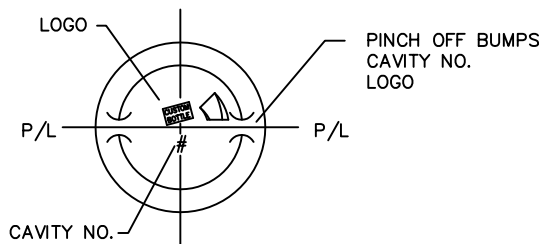
CUSTOM BOTTLE
APPROVAL:
APPROVED BY **BP**
DATE **APR. 29/10**
CUSTOMER
APPROVAL:
APPROVED BY
DATE



ALTERNATE NECK
M20 SP415

'T': .775±.008 [19.68±.20]
'E': .691±.008 [17.55±.20]
'H': .742±.015 [18.84±.38]
'I': .404 MIN. [10.26 MIN.]

HELIX : 3'7'
T.P.I.: 8
CUTT DIA.: .375 [9.53]
GRAM WT.: 8±.6
O/F/C.: 69.5ml±3.5



SCREEN PRINTING INFORMATION

BOTTLE CIRCUMFERENCE: 4.317 [111.93] MIN.
MUST ALLOW .312 [7.94] BREAK
TOTAL WIDTH OF COPY: 4.000 [101.60]
TOTAL HEIGHT: 2.104 [53.44]
FRONT TO BACK CIRCUMFERENCE: 2.158 [54.81]

NO.	REV.	BY	DESCRIPTION	DATE	
NECK FINISH: M20 SP410			GRAM WT. 8 ±0.6		
'T'	'E'	'H'	'S'	'L'	'I'
.775 ±.008	.691 ±.008	.554 ±.015	.037 ±.015	_____	.404 MIN.
19.69 ±0.20	17.55 ±0.20	14.07 ±0.38	0.94 ±0.38	_____	10.26 MIN.
HELIX <: 3' 7'		T.P.I.: 8	CUTT. DIA.: .375 [9.53]		
OVERFLOW CAPACITY BEFORE DECORATING 68.5ml ±3.5					



Custom Bottle Inc.
10 Great Hill Road
P.O. Box 720
Naugatuck, Connecticut 06770
203-723-6661

DRAWN BY:	DESC.: 2oz COSMO
SCALE: 1-1 DATE:	DRAWING NO.: 107-6973-STOCK
BOTTLE MAT'L: HDPE	1
C.B.I.D.: #37	MOULD NO.: