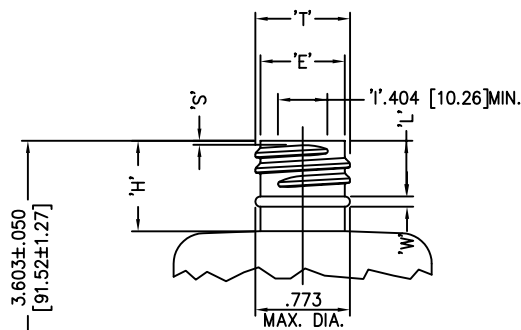
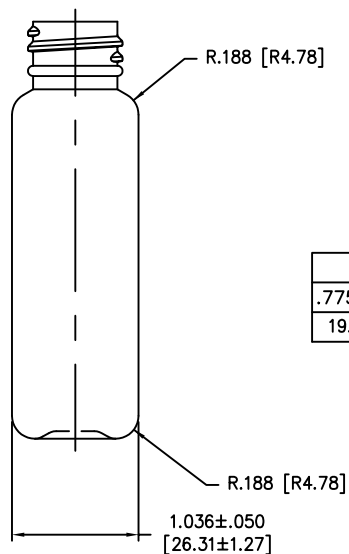
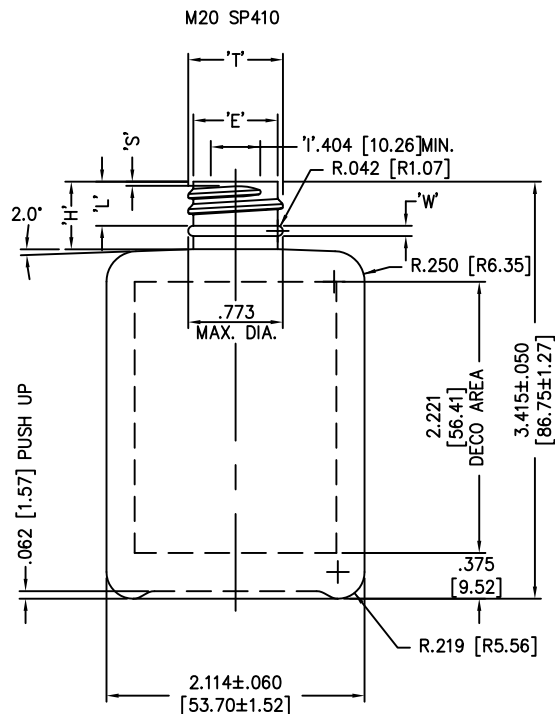


DISCLAIMER: CUSTOM BOTTLE INC.  
ASSUMES NO RESPONSIBILITY FOR:  
-FORM, FIT AND FUNCTION OF CLOSURES  
-SHELF LIFE AND/OR COMPATIBILITY OF  
INTENDED CONTENTS WITH THIS BOTTLE.

'T' AND 'E' DIMENSIONS ARE THE  
AVERAGE OF TWO MEASUREMENTS  
TAKEN 90° APART.  
THE LIMITS OF QUALITY WILL BE  
DETERMINED PER APPLICATION AS  
NECESSARY.

DIMENSIONS IN [ ] ARE  
IN MILLIMETERS  
ALL OTHERS INDICATED  
ARE IN INCHES  
This drawing subject to  
standard industry tolerances  
S.P.I.

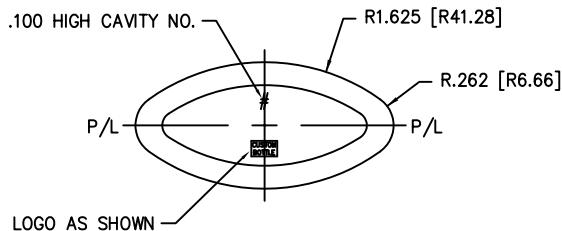
CUSTOM BOTTLE  
APPROVAL:  
APPROVED BY **BP**  
DATE **APR. 29/10**  
CUSTOMER  
APPROVAL:  
APPROVED BY .....  
DATE .....



M20-SP415

'T'	'E'	'H'	'S'	'L'	'W'
.775 ±.008	.691 ±.008	.742 ±.015	.037 ±.015	.456 MIN	.084 MAX
19.69±.20	17.55±.20	18.85±.38	.94±.38	11.58 MIN.	2.13 MAX.

O/F CAPACITY 68ml±4ml



NO.	REV.	BY	DESCRIPTION	DATE	
NECK FINISH: M20 SP410			GRAM WT. HDPE-11g LDPE-12g ±1		
'T'	'E'	'H'	'S'	'L'	'I'
.775 ±.008	.691 ±.008	.554 ±.015	.037 ±.015	.361 MIN.	.555 MAX.
19.69 ±.20	17.55 ±.20	14.07 ±.38	0.94 ±.38	9.14 MIN.	14.10 MAX.
HELIX <: 3' 7'		T.P.I.: 8	CUTT. DIA.: .375 [9.53]		
OVERFLOW CAPACITY BEFORE DECORATING 67ml ±4ml					



Custom Bottle Inc.  
10 Great Hill Road  
P.O. Box 720  
Naugatuck, Connecticut 06770  
203-723-6661

DRAWN BY:	DESC.: 2oz. CUSTOM OVAL
SCALE: 1-1	DATE:
BOTTLE MAT'L: HDPE/LDPE	DRAWING NO. 107-4868-STOCK
C.B.I.D.: #16	MOULD NO.: