

DISCLAIMER: CUSTOM BOTTLE INC. ASSUMES NO RESPONSIBILITY FOR:  
 -FORM, FIT AND FUNCTION OF CLOSURES  
 -SHELF LIFE AND/OR COMPATIBILITY OF INTENDED CONTENTS WITH THIS BOTTLE.

'T' AND 'E' DIMENSIONS ARE THE AVERAGE OF TWO MEASUREMENTS TAKEN 90° APART.

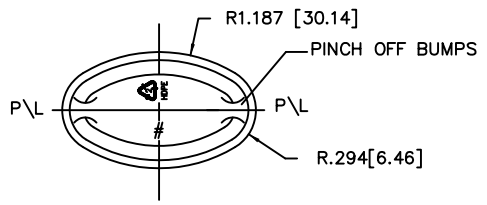
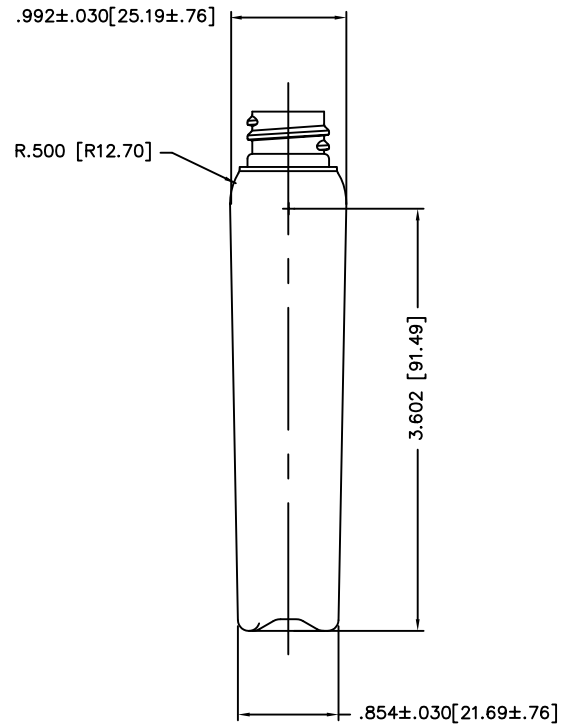
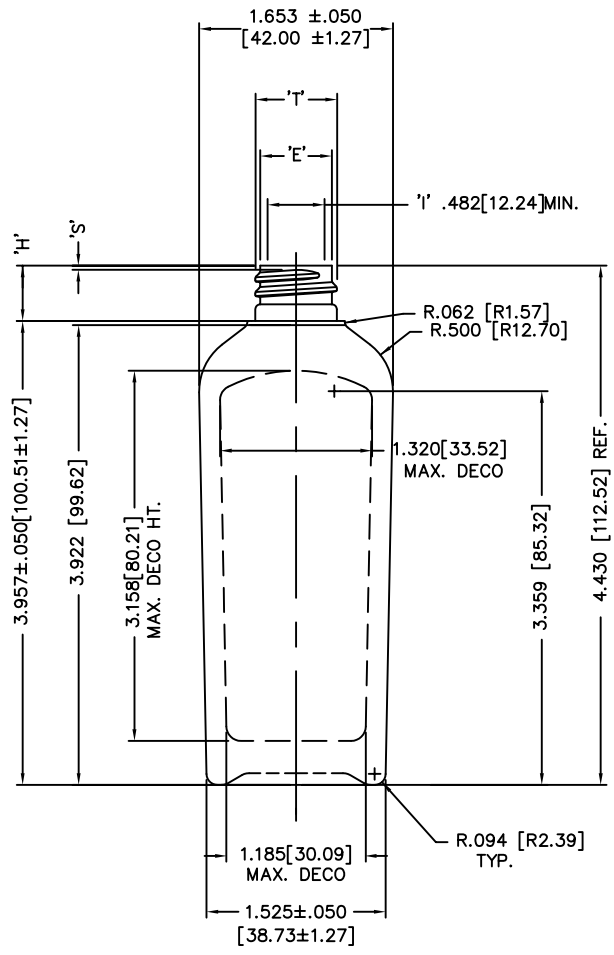
THE LIMITS OF QUALITY WILL BE DETERMINED PER APPLICATION AS NECESSARY.

DIMENSIONS IN [ ] ARE IN MILLIMETERS  
 ALL OTHERS INDICATED ARE IN INCHES

This drawing subject to standard industry tolerances S.P.I.

CUSTOM BOTTLE APPROVAL:  
 APPROVED BY **BP**  
 DATE **APR. 29/10**

CUSTOMER APPROVAL:  
 APPROVED BY .....  
 DATE .....




NO.	REV.	BY	DESCRIPTION	DATE	
NECK FINISH: M18-SP410 - PLUG FINISH			GRAM WT.	11±1.0	
'T'	'E'	'H'	'S'	'L'	'I'
.696 ± 0.008	.612 ± 0.008	.473 ± 0.015	.037 ± 0.015	.361 MIN	_____
17.68 ± 0.15	15.54 ± 0.15	12.01 ± 0.38	0.94 ± 0.38	9.17 MIN.	_____
HELIX <: 3° 30'		T.P.I.: 8	CUTT. DIA.: .375[9.53]		
OVERFLOW CAPACITY BEFORE DECORATING				64.7ml±3	



Custom Bottle Inc.  
 10 Great Hill Road  
 P.O. Box 720  
 Naugatuck, Connecticut 06770  
 203-723-6661

DRAWN BY: 002	DESC.: 2oz ELLIPSE OVAL
SCALE: 1-1	DATE:
BOTTLE MAT'L: HDPE	DRAWING NO.: 107-7258-STOCK-3
C.B.I.D.: #157	MOULD NO.: