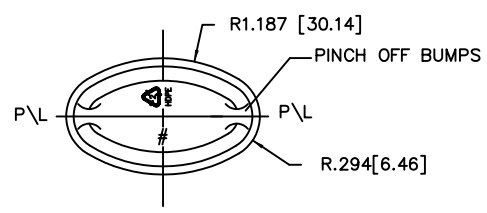
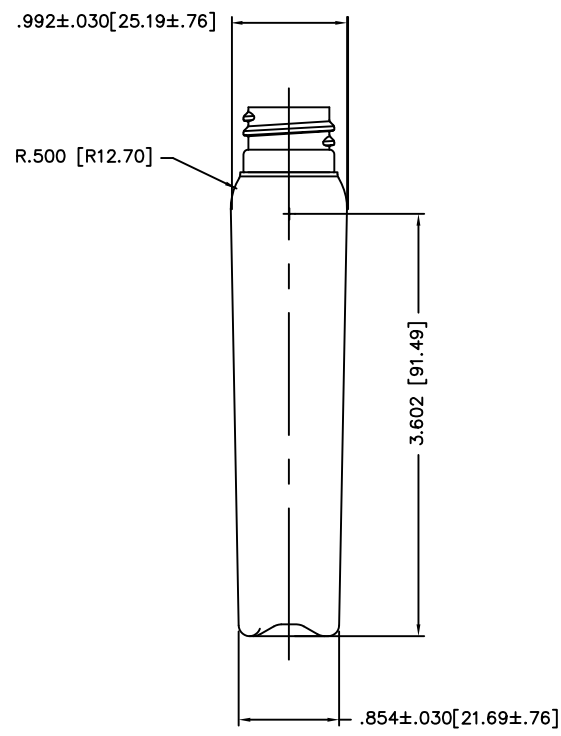
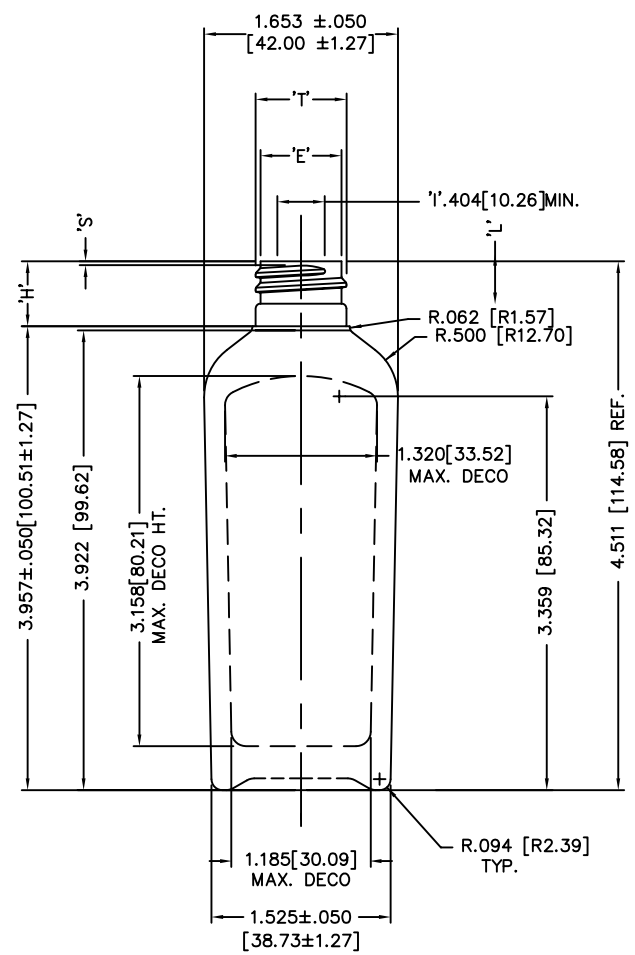


DISCLAIMER: CUSTOM BOTTLE INC.
 ASSUMES NO RESPONSIBILITY FOR:
 -FORM, FIT AND FUNCTION OF CLOSURES
 -SHELF LIFE AND/OR COMPATIBILITY OF
 INTENDED CONTENTS WITH THIS BOTTLE.

'T' AND 'E' DIMENSIONS ARE THE
 AVERAGE OF TWO MEASUREMENTS
 TAKEN 90° APART.
 THE LIMITS OF QUALITY WILL BE
 DETERMINED PER APPLICATION AS
 NECESSARY.

DIMENSIONS IN [] ARE
 IN MILLIMETERS
 ALL OTHERS INDICATED
 ARE IN INCHES
 This drawing subject to
 standard industry tolerances
 S.P.I.

CUSTOM BOTTLE
 APPROVAL:
 APPROVED BY **BP**
 DATE **APR. 29/10**
 CUSTOMER
 APPROVAL:
 APPROVED BY
 DATE



NO.	REV.	BY	DESCRIPTION	DATE

NECK FINISH: M20 SP410			GRAM WT. 11±1.0		
'T'	'E'	'H'	'S'	'L'	'I'
.775 ±.008	.691 ±.008	.554 ±.015	.037 ±.015	.361 MIN	_____
19.69 ±.020	17.55 ±.020	14.07 ±.038	0.94 ±.038	9.14 MIN.	_____
HELIX <3' 7'		T.P.I.: 8	CUTT. DIA.: .375 [9.53]		
OVERFLOW CAPACITY BEFORE DECORATING				65.3ml±3	



Custom Bottle Inc.
 10 Great Hill Road
 P.O. Box 720
 Naugatuck, Connecticut 06770
 203-723-6661

DRAWN BY:		DESC.: 2oz ELLIPSE OVAL	
SCALE: 1-1	DATE:	DRAWING NO.: 107-7258-STOCK-2	
BOTTLE MAT'L: HDPE		C.B.I.D.: #157	
C.B.I.D.: #157		MOULD NO.:	