

DISCLAIMER: CUSTOM BOTTLE INC.
ASSUMES NO RESPONSIBILITY FOR:
-FORM, FIT AND FUNCTION OF CLOSURES
-SHELF LIFE AND/OR COMPATIBILITY OF
INTENDED CONTENTS WITH THIS BOTTLE.

'T' AND 'E' DIMENSIONS ARE THE
AVERAGE OF TWO MEASUREMENTS
TAKEN 90° APART.
THE LIMITS OF QUALITY WILL BE
DETERMINED PER APPLICATION AS
NECESSARY.

DIMENSIONS IN [] ARE
IN MILLIMETERS
ALL OTHERS INDICATED
ARE IN INCHES
This drawing subject to
standard industry tolerances
S.P.I.

CUSTOM BOTTLE
APPROVAL:

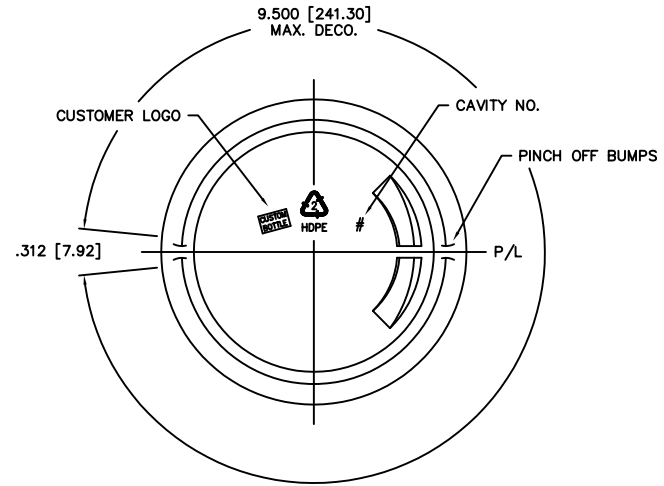
APPROVED BY **BP**

DATE **NOV. 23/10**

CUSTOMER
APPROVAL:

APPROVED BY

DATE



NO.	REV.	BY	DESCRIPTION	DATE

NO.	REV.	BY	DESCRIPTION	DATE

NECK FINISH:	24mm RATCHET	GRAM WT.	55 ± 3		
'T'	'E'	'H'	'S'	'L'	'I'
.932 ± 0.008	.848 ± 0.008	.640 ± 0.015	.046 ± 0.015	.437 MIN.	_____
23.67 ± 0.20	21.54 ± 0.20	16.26 ± 0.38	1.17 ± 0.38	11.10 MIN.	_____
HELIX <:	2' 34'	T.P.I.:	8	CUTT. DIA.:	.375[9.53]
OVERFLOW CAPACITY BEFORE DECORATING	1024ml ± 11				



Custom Bottle Inc.
10 Great Hill Road
P.O. Box 720
Naugatuck, Connecticut 06770
203-723-6661

DRAWN BY:	1130	DESC.:	32oz. COSMETIC CYL.
SCALE:	1-1	DATE:	APR.24/09
BOTTLE MAT'L:	HDPE	DRAWING NO.:	107-8538-STOCK
C.B.I.D.:	#126	MOULD NO.:	