

DISCLAIMER: CUSTOM BOTTLE INC.
ASSUMES NO RESPONSIBILITY FOR:
-FORM, FIT AND FUNCTION OF CLOSURES
-SHELF LIFE AND/OR COMPATIBILITY OF
INTENDED CONTENTS WITH THIS BOTTLE.

'T' AND 'E' DIMENSIONS ARE THE
AVERAGE OF TWO MEASUREMENTS
TAKEN 90° APART.

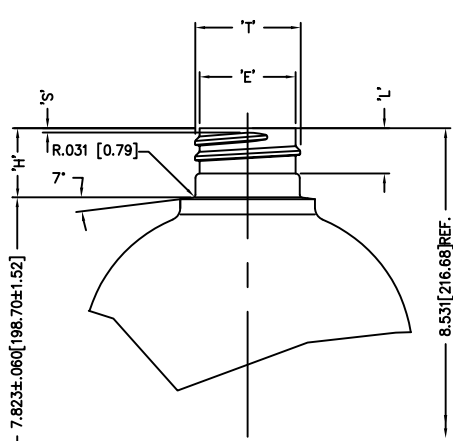
THE LIMITS OF QUALITY WILL BE
DETERMINED PER APPLICATION AS
NECESSARY.

DIMENSIONS IN [] ARE
IN MILLIMETERS
ALL OTHERS INDICATED
ARE IN INCHES

This drawing subject to
standard industry tolerances
S.P.I.

CUSTOM BOTTLE
APPROVAL:
APPROVED BY **BP**
DATE **NOV. 1/10**

CUSTOMER
APPROVAL:
APPROVED BY
DATE

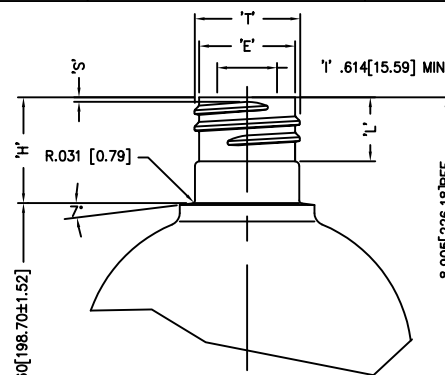
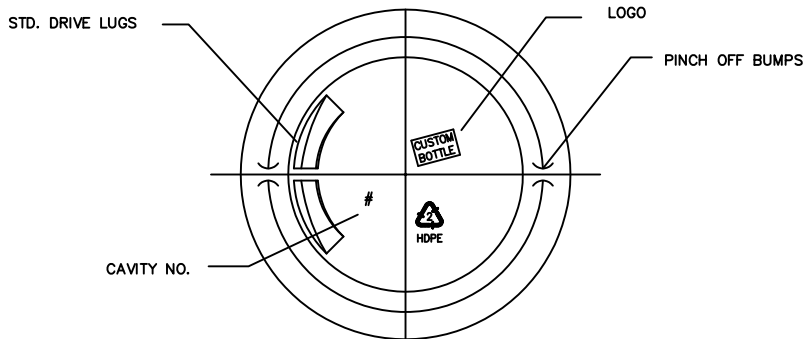
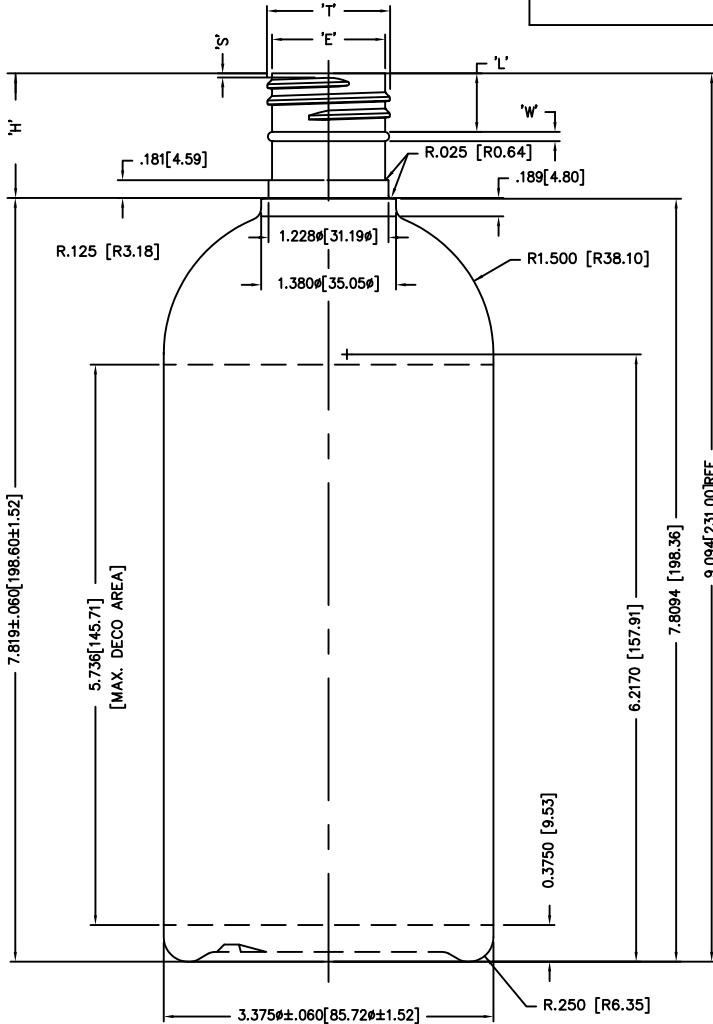


ALTERNATE NECK
M28 SP410

'T': 1.078 ± .010 [27.38 ± .25]
'E': .984 ± .010 [25.00 ± .25]
'H': .708 ± .015 [17.98 ± .38]
'S': .046 ± .015 [1.17 ± .38]
'L': .463 MIN. [11.94 MIN.]

HELIX <: 2°57'
T.P.I.: 6

GRAM WT.: 50 ± 3.0
O/F/C: 1008ml ± 15



ALTERNATE NECK
M28 SP415

'T': 1.078 ± .010 [27.38 ± .25]
'E': .984 ± .010 [25.00 ± .25]
'H': 1.082 ± .015 [27.48 ± .38]
'S': .046 ± .015 [1.17 ± .38]
'L': .463 MIN. [11.94 MIN.]

HELIX <: 2°57'
T.P.I.: 6

GRAM WT.: 52 ± 3.0
O/F/C: 1011.5ml ± 15

NOTE: MIN. WALL THICKNESS .010 [0.25]

NO.	REV.	BY	DESCRIPTION	DATE	
NECK FINISH: M33-SP400			GRAM WT. 53ml ± 3.0		
'T'	'E'	'H'	'S'	'L'	'I'
1.253 ± .012	1.159 ± .012	1.275 ± .015	.046 ± .015	.600 MIN	.791 MIN.
31.83 ± 0.38	29.44 ± 0.30	32.39 ± 0.38	1.17 ± 0.38	15.24 MIN.	20.09 MIN.
HELIX <: 2° 31'		T.P.I.: 6	CUTT. DIA.: .500 [12.70]		
OVERFLOW CAPACITY BEFORE DECORATING				1036ml ± 15	



Custom Bottle Inc.
10 Great Hill Road
P.O. Box 720
Naugatuck, Connecticut 06770
203-723-6661

DRAWN BY: DS	DESC.: 32oz COSMO
SCALE: 1-1 DATE: MAR2/05	DRAWING NO.: 107-6627-P
BOTTLE MAT'L: HDPE	MOULD NO.:
C.B.I.D.: #98	