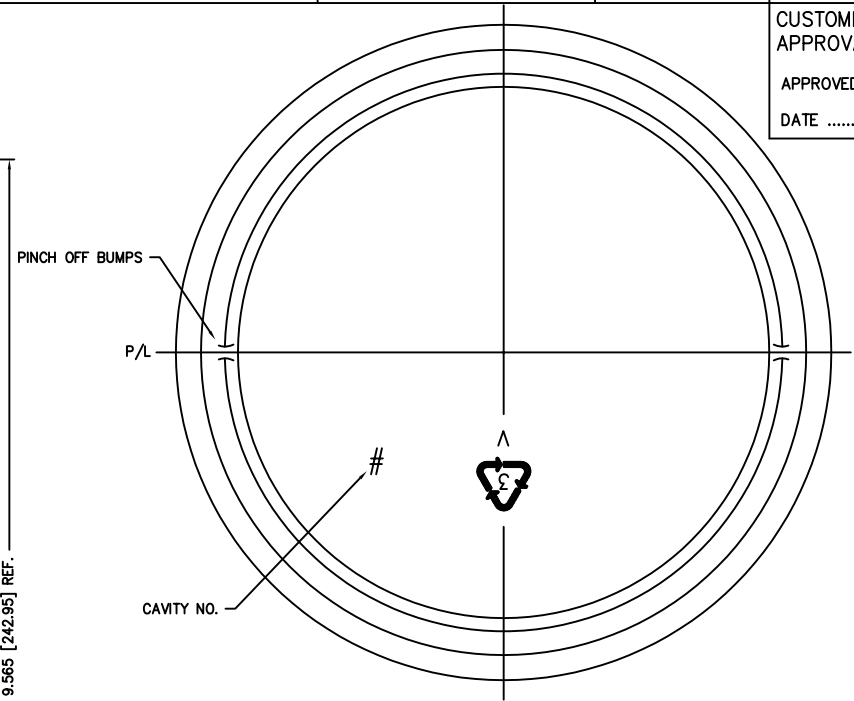
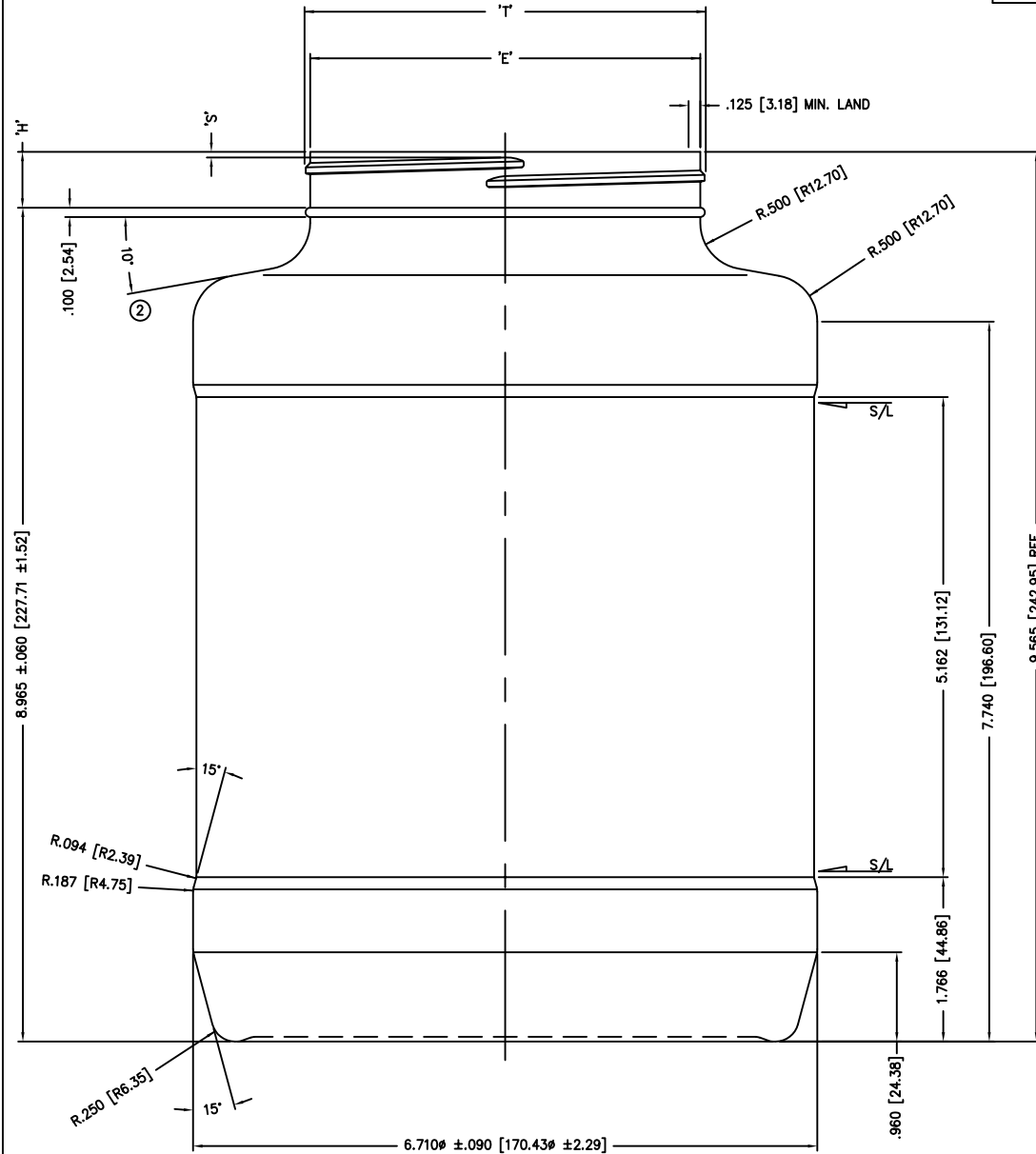


DISCLAIMER: CUSTOM BOTTLE INC.
ASSUMES NO RESPONSIBILITY FOR:
-FORM, FIT AND FUNCTION OF CLOSURES
-SHELF LIFE AND/OR COMPATIBILITY OF
INTENDED CONTENTS WITH THIS BOTTLE.

'T' AND 'E' DIMENSIONS ARE THE
AVERAGE OF TWO MEASUREMENTS
TAKEN 90° APART.
THE LIMITS OF QUALITY WILL BE
DETERMINED PER APPLICATION AS
NECESSARY.

DIMENSIONS IN [] ARE
IN MILLIMETERS
ALL OTHERS INDICATED
ARE IN INCHES
This drawing subject to
standard industry tolerances
S.P.I.

CUSTOM BOTTLE
APPROVAL:
APPROVED BY **BP**
DATE **APR. 29/10**
CUSTOMER
APPROVAL:
APPROVED BY
DATE



NO.	REV.	BY	DESCRIPTION	DATE	
NECK FINISH: M110-SP400			GRAM WT. 148 ±5		
'T'	'E'	'H'	'S'	'L'	'I'
4.314 ±.018	4.194 ±.018	.600 ±.015	.060 ±.015	_____	_____
109.58 ±0.46	106.52 ±0.46	15.24 ±0.38	1.52 ±0.38	_____	_____
HELIX <: 0° 51'		T.P.I.: 5	CUTT. DIA.: .500		
OVERFLOW CAPACITY BEFORE DECORATING				4843ml ±59	



Custom Bottle Inc.
10 Great Hill Road
P.O. Box 720
Naugatuck, Connecticut 06770
203-723-6661

DRAWN BY: 001	DESC.: 3lb. JAR
SCALE: 1-1 DATE: JAN.24/02	DRAWING NO.: 107-5038-STOCK
BOTTLE MAT'L: PVC	MOULD NO.:
C.B.I.D.: #319	