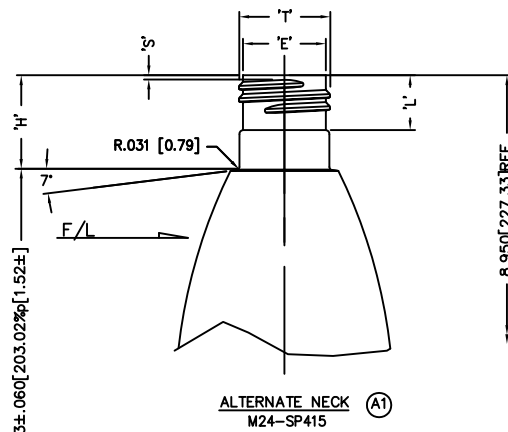
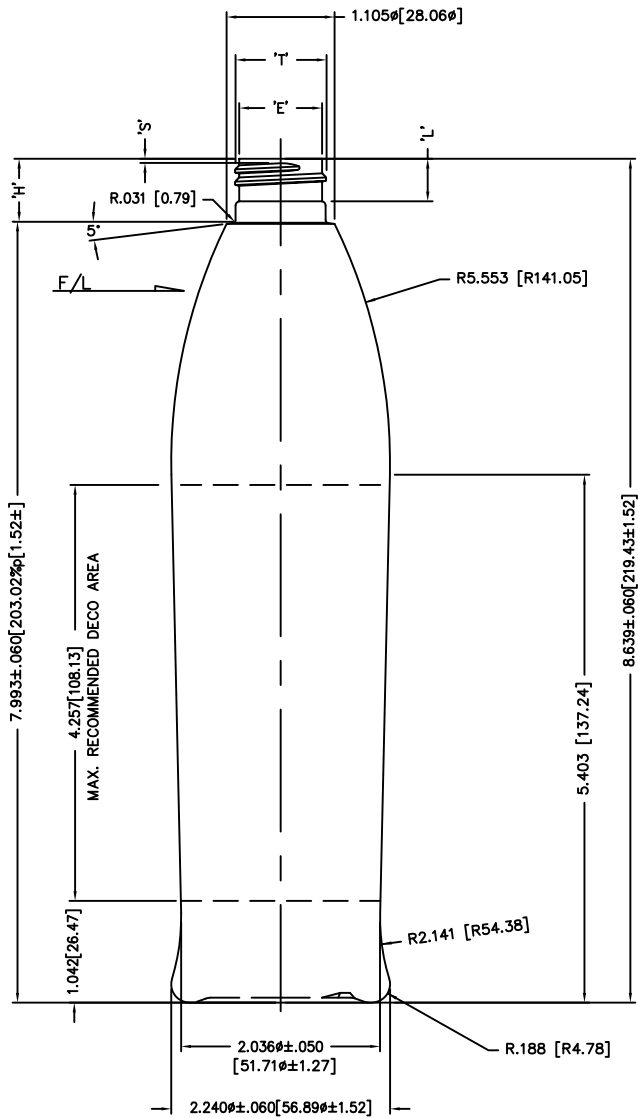


DISCLAIMER: CUSTOM BOTTLE INC. ASSUMES NO RESPONSIBILITY FOR:  
 -FORM, FIT AND FUNCTION OF CLOSURES  
 -SHELF LIFE AND/OR COMPATIBILITY OF INTENDED CONTENTS WITH THIS BOTTLE.

'T' AND 'E' DIMENSIONS ARE THE AVERAGE OF TWO MEASUREMENTS TAKEN 90° APART.  
 THE LIMITS OF QUALITY WILL BE DETERMINED PER APPLICATION AS NECESSARY.

DIMENSIONS IN [ ] ARE IN MILLIMETERS  
 ALL OTHERS INDICATED ARE IN INCHES  
 This drawing subject to standard industry tolerances S.P.I.

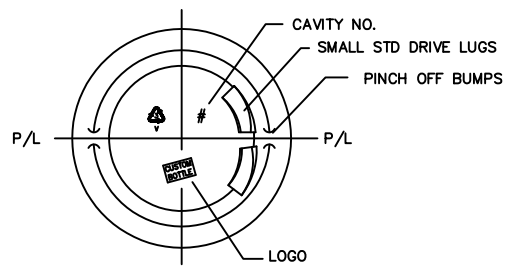
CUSTOM BOTTLE APPROVAL:  
 APPROVED BY **BP**  
 DATE **NOV. 23/10**



**ALTERNATE NECK (A1)**  
 M24-SP415

'T': .932±.008 [23.67±.20]  
 'E': .848±.008 [21.54±.20]  
 'H': .957±.015 [24.30±.38]  
 'S': .046±.015 [1.17±.38]  
 'L': .561 MIN. [14.25 MIN.]

HELIX < : 2'34'  
 T.P.I.: 8  
 CUTT. DIA.: .375 [9.53]  
 O/F/C: 423ML±11




NO.	REV.	BY	DESCRIPTION	DATE	
NECK FINISH: M24 SP410			GRAM WT. 34 ±1		
'T'	'E'	'H'	'S'	'L'	'I'
.932 ±.008	.848 ±.008	.646 ±.015	.046 ±.015	.437 MIN.	516 MIN.
23.67 ±0.20	21.54 ±0.20	16.41 ±0.38	1.17 ±0.38	11.10 MIN.	13.11 MIN.
HELIX < : 2' 34'		T.P.I.: 8	CUTT. DIA.: .375 [9.53]		
OVERFLOW CAPACITY BEFORE DECORATING				420.3ml±11	



Custom Bottle Inc.  
 10 Great Hill Road  
 P.O. Box 720  
 Naugatuck, Connecticut 06770  
 203-723-6661

DRAWN BY: 1130	DESC.: 400ml MYSTIQUE ROUND
SCALE: 1-1	DATE: JUNE.29/05
BOTTLE MAT'L: PVC	DRAWING NO.: 107-6842-STOCK
C.B.I.D.: #400	MOULD NO.: