

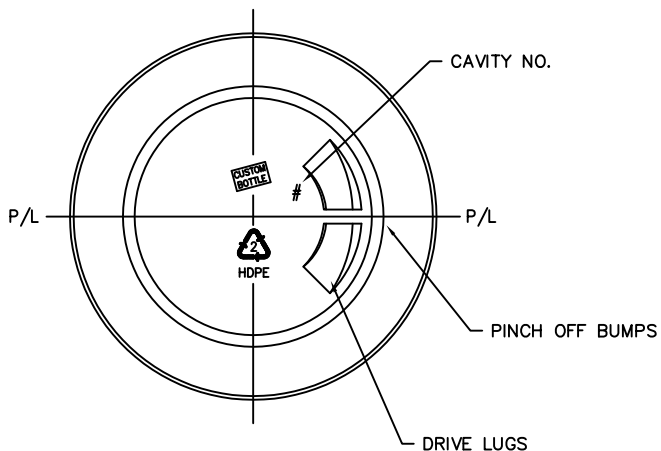
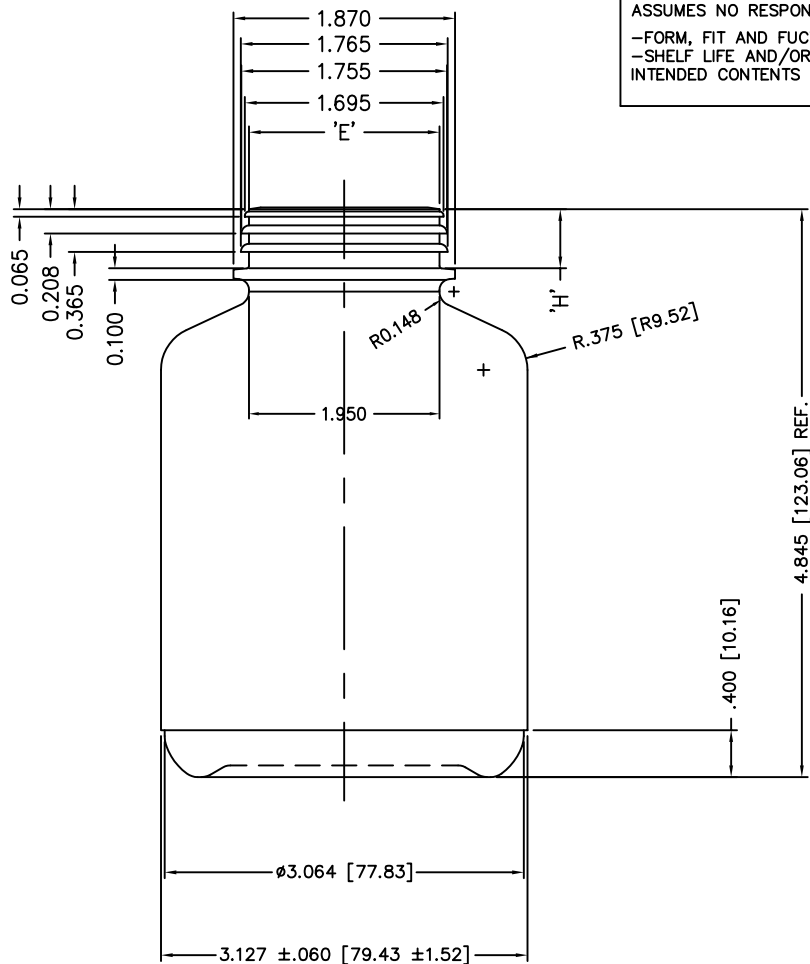
DISCLAIMER: CUSTOM BOTTLE INC.
 ASSUMES NO RESPONSIBILITY FOR:
 -FORM, FIT AND FUNCTION OF CLOSURES
 -SHELF LIFE AND/OR COMPATIBILITY OF
 INTENDED CONTENTS WITH THIS BOTTLE.

'T' AND 'E' DIMENSIONS ARE THE
 AVERAGE OF TWO MEASUREMENTS
 TAKEN 90° APART.
 THE LIMITS OF QUALITY WILL BE
 DETERMINED PER APPLICATION AS
 NECESSARY.

DIMENSIONS IN [] ARE
 IN MILLIMETERS
 ALL OTHERS INDICATED
 ARE IN INCHES
 This drawing subject to
 standard industry tolerances
 S.P.I.

CUSTOM BOTTLE
 APPROVAL:
 APPROVED BY **BP**
 DATE **NOV. 23/10**

CUSTOMER
 APPROVAL:
 APPROVED BY
 DATE



NO.	REV.	BY	DESCRIPTION	DATE	
NECK FINISH: 45mm HINGE GUARD			GRAM WT. 30 ±2		
'T'	'E'	'H'	'S'	'L'	'I'
	1.625 ±.010	.510 ±.015			
	41.28 ±0.25	12.95 ±0.38			
HELIX <: _____		T.P.I.: _____	CUTT. DIA.: _____		
OVERFLOW CAPACITY BEFORE DECORATING				479ml ±11	
CUSTOM BOTTLE			Custom Bottle Inc. 10 Great Hill Road P.O. Box 720 Naugatuck, Connecticut 06770 203-723-6661		
DRAWN BY: 1130		DESC.: 450cc W/M PHARMA RD.			
SCALE: 1-1	DATE: MAR. 10/09				
BOTTLE MAT'L: HDPE		DRAWING NO.: 107-8498-STOCK			
C.B.I.D.: #178		MOULD NO.:			