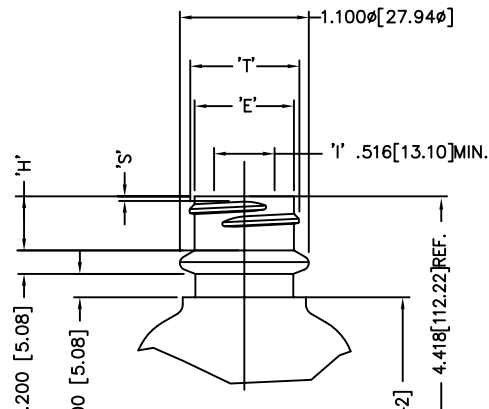
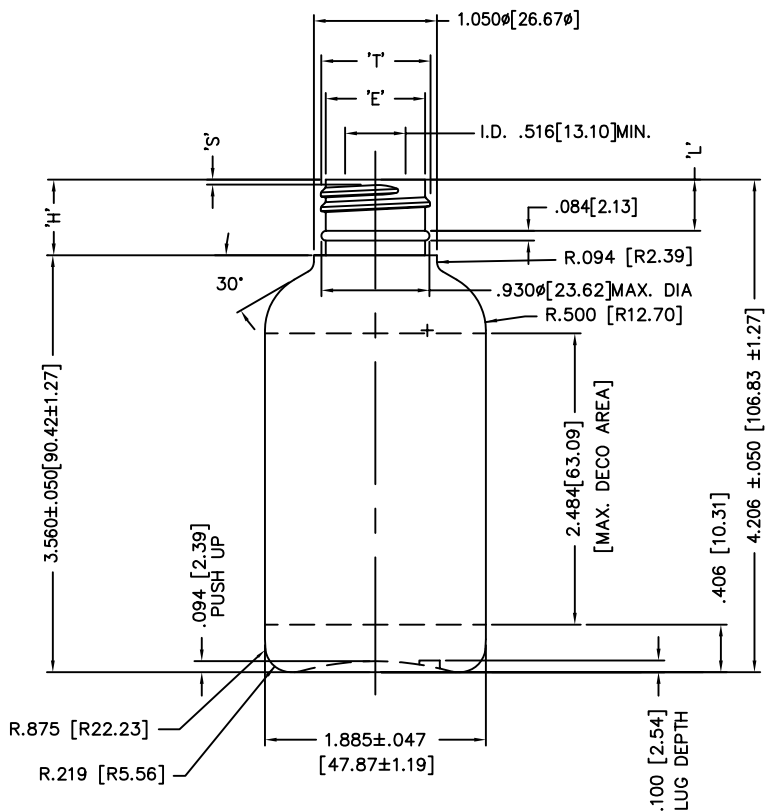


DISCLAIMER: CUSTOM BOTTLE INC.  
ASSUMES NO RESPONSIBILITY FOR:  
-FORM, FIT AND FUNCTION OF CLOSURES  
-SHELF LIFE AND/OR COMPATIBILITY OF  
INTENDED CONTENTS WITH THIS BOTTLE.

'T' AND 'E' DIMENSIONS ARE THE  
AVERAGE OF TWO MEASUREMENTS  
TAKEN 90° APART.  
THE LIMITS OF QUALITY WILL BE  
DETERMINED PER APPLICATION AS  
NECESSARY.

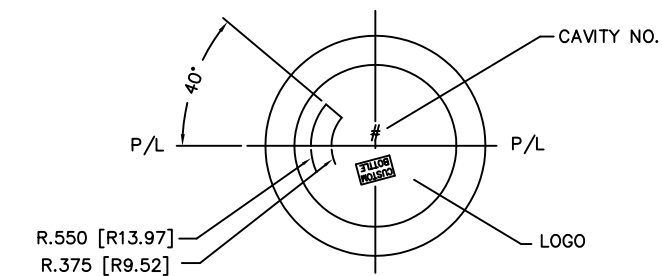
DIMENSIONS IN [ ] ARE  
IN MILLIMETERS  
ALL OTHERS INDICATED  
ARE IN INCHES  
This drawing subject to  
standard industry tolerances  
S.P.I.

CUSTOM BOTTLE  
APPROVAL:  
APPROVED BY **BP**  
DATE **JAN. 7/11**  
CUSTOMER  
APPROVAL:  
APPROVED BY .....  
DATE .....




ALTERNATE NECK  
24mm SHRINK BAND  
NECK  
'T': .932±.008 [23.67±.20]  
'E': .848±.008 [21.54±.20]  
'H': .462±.015 [11.73±.38]  
'S': .046±.015 [1.17±.38]  
HELIX : 2°34'  
CUTT DIA.: .375 [9.52]  
GM. WT.: 14 ±1.5  
OFC.: 145ml ±5

NOTE:  
MINIMUM WALL THICKNESS .010 [0.25]



SCREEN PRINTING INFORMATION  
BOTTLE CIRCUMFERENCE=5.77"MIN.  
MUST ALLOW 5/16"  
TOTAL WIDTH OF COPY=5.46"  
TOTAL HT=2.480"  
FRONT TO BACK CIRC.=2.880"(MIN.)

| NO.   | REV.        | BY              | DESCRIPTION  | DATE                        |                       |
|---|-------------|-----------------|--|-----------------------------|-----------------------|
| NECK FINISH: M24 SP410  |             |                 | GRAM WT. 15 ±1   |                             |                       |
| 'T'   | 'E'         | 'H'             | 'S'  | 'L'                         | 'I'                   |
| .932 ±.008  | .848 ±.008  | .646 ±.015      | .046 ±.015   | .437 MIN.                   | _____                 |
| 23.67 ±0.20   | 21.54 ±0.20 | 16.41 ±0.38     | 1.17 ±0.38   | 11.10 MIN.                  | _____                 |
| HELIX <: 2° 34'   |             | T.P.I.: 8       | CUTT. DIA.: .375 [9.53]  |                             |                       |
| OVERFLOW CAPACITY BEFORE DECORATING   |             |                 |  | 144ml ±5                    |                       |
|  |             |                 | Custom Bottle Inc.<br>10 Great Hill Road<br>P.O. Box 720<br>Naugatuck, Connecticut 06770<br>203-723-6661 |                             |                       |
|   |             |                 | DRAWN BY: ds   |                             | DESC.: 4oz BOSTON RD. |
| SCALE: 1-1  |             | DATE: JUNE.7/05 |  | DRAWING NO.: 107-5337-STOCK |                       |
| BOTTLE MAT'L: HDPE/PP/LDPE  |             |                 | C.B.I.D.: #284   |                             |                       |
|   |             |                 | MOULD NO.:   |                             |                       |