

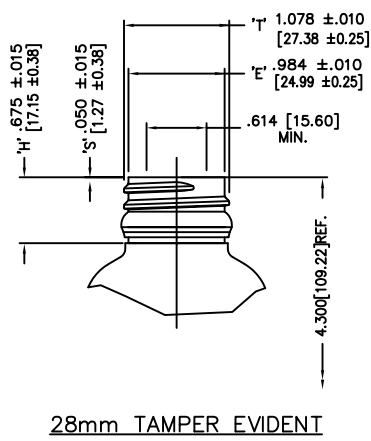
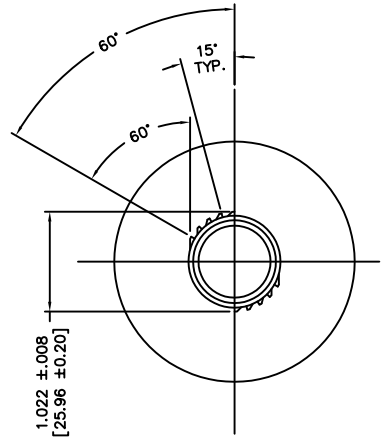
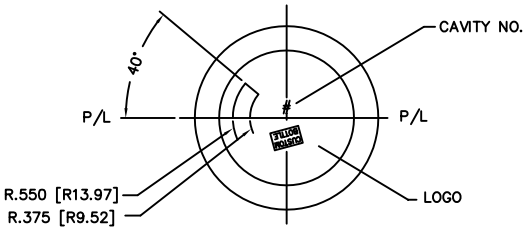
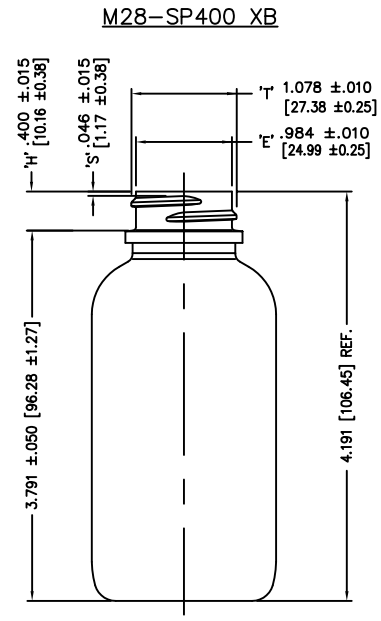
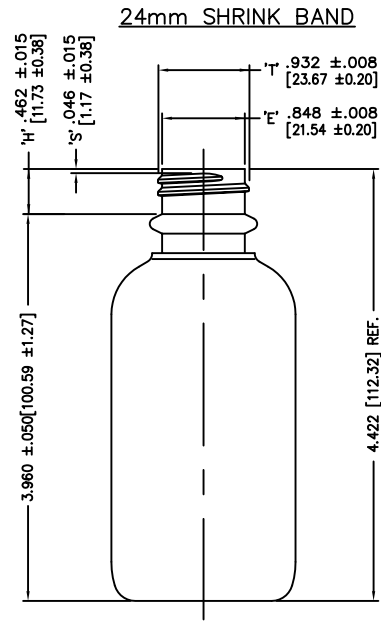
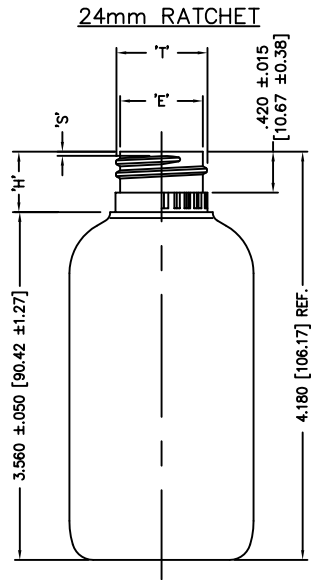
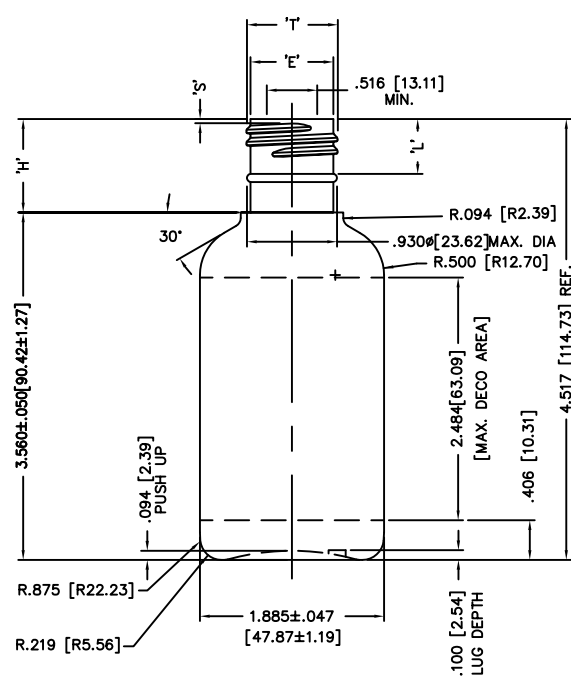
NECK FINISH	M24 SP415		24mm RATCHET		24mm SHRINK BAND		28mm XB		28mm T/E	
MATERIAL	HDPE	LDPE	HDPE	LDPE	HDPE	LDPE	HDPE	LDPE	HDPE	LDPE
BOTTLE WT. ±1.0gr.	14.0	17.0	14.0	16.0	14.0	16.0	14.0	16.0	14.0	16.0
OVERFLOW CAPACITY	141.5ml	140.5ml	141.0ml	142.0ml	142.5ml					
	140.1ml	139.0ml	139.6ml	140.5ml	141.0ml					

DISCLAIMER: CUSTOM BOTTLE INC. ASSUMES NO RESPONSIBILITY FOR:
 -FORM, FIT AND FUNCTION OF CLOSURES
 -SHELF LIFE AND/OR COMPATIBILITY OF INTENDED CONTENTS WITH THIS BOTTLE.

'T' AND 'E' DIMENSIONS ARE THE AVERAGE OF TWO MEASUREMENTS TAKEN 90° APART.
 THE LIMITS OF QUALITY WILL BE DETERMINED PER APPLICATION AS NECESSARY.

DIMENSIONS IN [] ARE IN MILLIMETERS ALL OTHERS INDICATED ARE IN INCHES
 This drawing subject to standard industry tolerances S.P.I.

CUSTOM BOTTLE APPROVAL:
 APPROVED BY **BP**
 DATE **APR. 29/10**
 CUSTOMER APPROVAL:
 APPROVED BY
 DATE



NO.	REV.	BY	DESCRIPTION	DATE

NECK FINISH: M24 SP415		GRAM WT. AS NOTED			
'T'	'E'	'H'	'S'	'L'	'I'
.932 ± 0.008	.848 ± 0.008	.957 ± 0.015	.046 ± 0.015	.561 MIN.	_____
23.67 ± 0.20	21.54 ± 0.20	24.31 ± 0.38	1.17 ± 0.38	14.25 MIN.	_____
HELIX <: 2' 34'		T.P.I.: 8	CUTT. DIA.: .375[9.53]		
OVERFLOW CAPACITY BEFORE DECORATING AS NOTED					



Custom Bottle Inc.
 10 Great Hill Road
 P.O. Box 720
 Naugatuck, Connecticut 06770
 203-723-6661

DRAWN BY:	DESC.: 4oz BOSTON RD.
SCALE: 1-1	DATE: JUNE.7/05
BOTTLE MAT'L: AS NOTED	DRAWING NO.: 107-6792-STOCK
C.B.I.D.: #8	MOULD NO.: