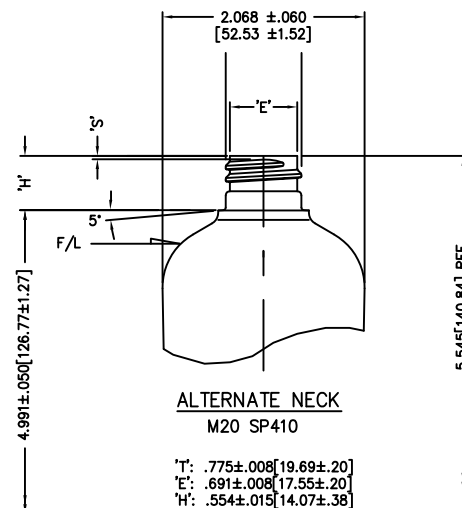
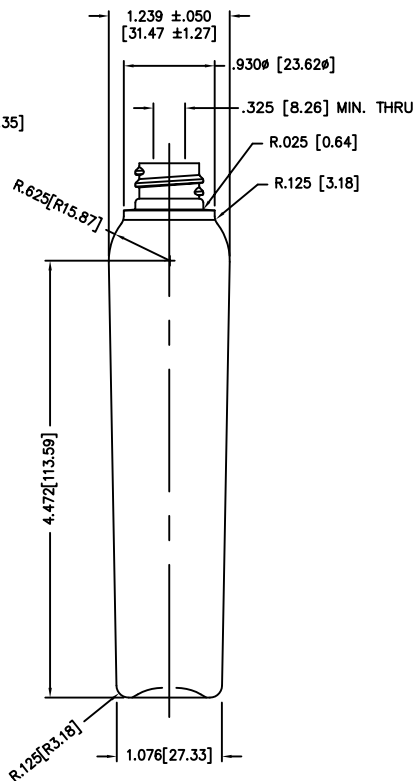
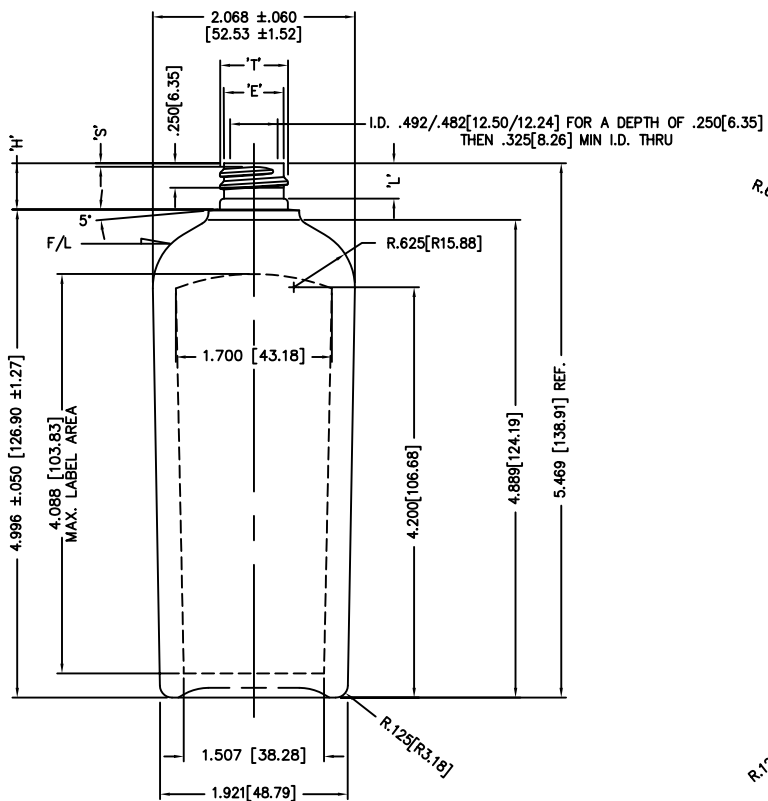


DISCLAIMER: CUSTOM BOTTLE INC.
ASSUMES NO RESPONSIBILITY FOR:
-FORM, FIT AND FUNCTION OF CLOSURES
-SHELF LIFE AND/OR COMPATIBILITY OF
INTENDED CONTENTS WITH THIS BOTTLE.

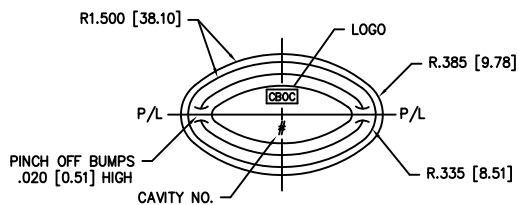
'T' AND 'E' DIMENSIONS ARE THE
AVERAGE OF TWO MEASUREMENTS
TAKEN 90° APART.
THE LIMITS OF QUALITY WILL BE
DETERMINED PER APPLICATION AS
NECESSARY.

DIMENSIONS IN [] ARE
IN MILLIMETERS
ALL OTHERS INDICATED
ARE IN INCHES
This drawing subject to
standard industry tolerances
S.P.I.

CUSTOM BOTTLE
APPROVAL:
APPROVED BY **BP**
DATE **APR. 29/10**
CUSTOMER
APPROVAL:
APPROVED BY
DATE



'T': .775±.008 [19.69±.20]
'E': .691±.008 [17.55±.20]
'H': .554±.015 [14.07±.38]
'S': .037±.015 [9.4±.38]
'L': .361 MIN [9.17 MIN.]
HELIX < : 3°
T.P.I.: 8
CUTT. DIA.: .375 [9.53]
GRAM WT.: 15 ±1.5
O/F/C.: 131ml ±5



NO.	REV.	BY	DESCRIPTION	DATE

NO. REV. BY		DESCRIPTION				DATE
NECK FINISH:		M18 SP410	GRAM WT.		15±1.5	
'T'	'E'	'H'	'S'	'L'	'I'	
.696 ±.008	.612 ±.008	.473 ±.015	.037 ±.015	.361 MIN	_____	
17.68 ±.15	15.54 ±.15	12.00 ±.38	.94 ±.38	9.17 MIN.	_____	
HELIX < : 3° 30'		T.P.I.: 8	CUTT. DIA.: .375			
OVERFLOW CAPACITY BEFORE DECORATING				130 ml ±5		

CUSTOM BOTTLE Custom Bottle Inc.
10 Great Hill Road
P.O. Box 720
Naugatuck, Connecticut 06770
203-723-6661

DRAWN BY: D	DESC.: 4oz. ELLIPSE
SCALE: 1-1 DATE: APR.30/03	DRAWING NO.: 107-5597-STOCK
BOTTLE MAT'L: HDPE	MOULD NO.:
C.B.I.D.: #206	