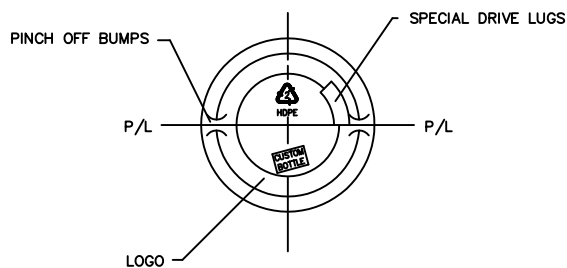
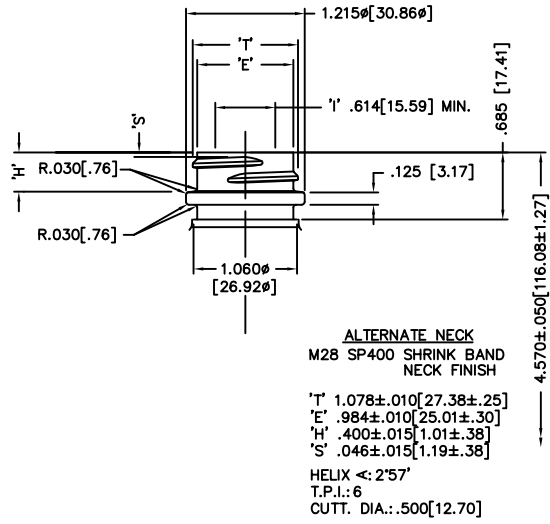
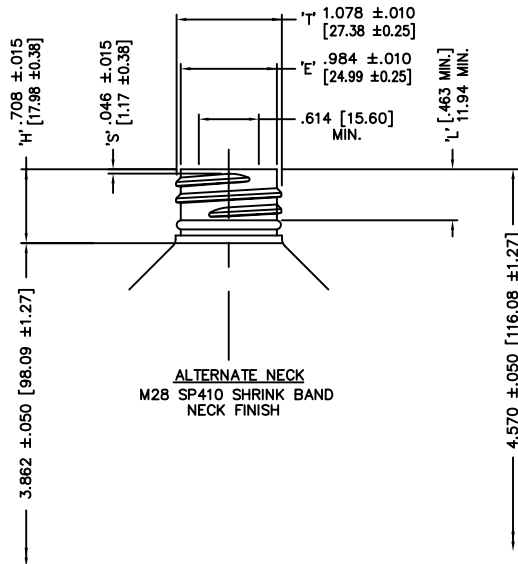
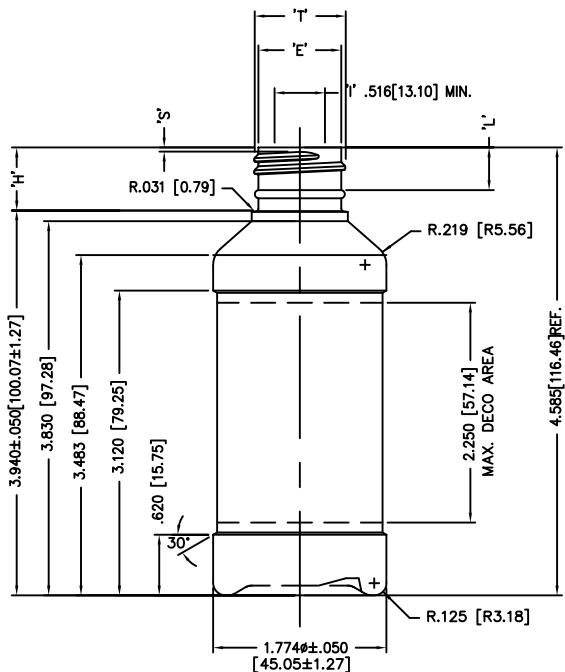


DISCLAIMER: CUSTOM BOTTLE INC.  
ASSUMES NO RESPONSIBILITY FOR:  
-FORM, FIT AND FUNCTION OF CLOSURES  
-SHELF LIFE AND/OR COMPATIBILITY OF  
INTENDED CONTENTS WITH THIS BOTTLE.

'T' AND 'E' DIMENSIONS ARE THE  
AVERAGE OF TWO MEASUREMENTS  
TAKEN 90° APART.  
THE LIMITS OF QUALITY WILL BE  
DETERMINED PER APPLICATION AS  
NECESSARY.

DIMENSIONS IN [ ] ARE  
IN MILLIMETERS  
ALL OTHERS INDICATED  
ARE IN INCHES  
This drawing subject to  
standard industry tolerances  
S.P.I.

CUSTOM BOTTLE  
APPROVAL:  
APPROVED BY **BP**  
DATE **APR. 29/10**  
CUSTOMER  
APPROVAL:  
APPROVED BY .....  
DATE .....



SCREEN PRINTING INFORMATION:

MAX. HEIGHT: 2.250 [57.15]  
MAX. WIDTH: 4.862 [123.49] ALLOWING .312 [7.94] BREAK IN COPY

NO.	REV.	BY	DESCRIPTION	DATE	
NECK FINISH:			M24 SP410	GRAM WT. AS NOTED	
'T'	'E'	'H'	'S'	'L'	'I'
.932 ±.008	.848 ±.008	.646 ±.015	.046 ±.015	.437 MIN.	_____
23.67 ±0.20	21.54 ±0.20	16.41 ±0.38	1.17 ±0.38	11.10 MIN.	_____
HELIX <: 2° 34'		T.P.I.: 8	CUTT. DIA.: .375 [9.53]		
OVERFLOW CAPACITY BEFORE DECORATING AS NOTED					



Custom Bottle Inc.  
10 Great Hill Road  
P.O. Box 720  
Naugatuck, Connecticut 06770  
203-723-6661

NECK FINISH	M24 SP410		M28 SP400 SHRINK BAND		M28 SP410	
	HDPE	LDPE	HDPE	LDPE	HDPE	LDPE
BOTTLE WEIGHT ±1.0gr	14.0		14.5		14.0	
OVERFLOW CAPACITY ±5cc	131.0		135.5		133.0	

DRAWN BY: 001	DESC.: 4oz. MODERN RD.
SCALE: 1-1   DATE: MAR.3/06	DRAWING NO.: 107-7257-STOCK
BOTTLE MAT'L: HDPE	MOULD NO.:
C.B.I.D.: #288	