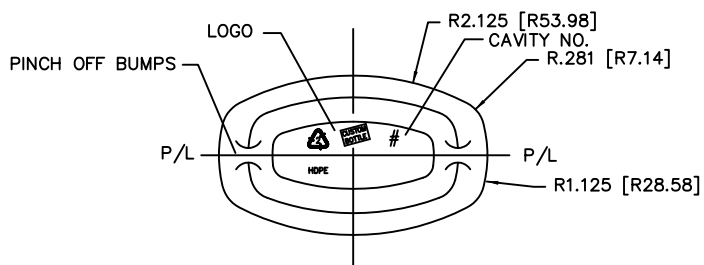
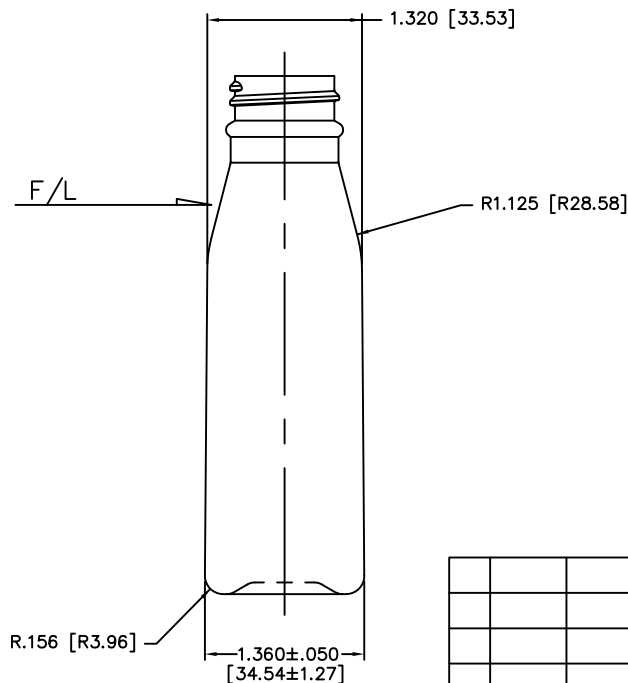
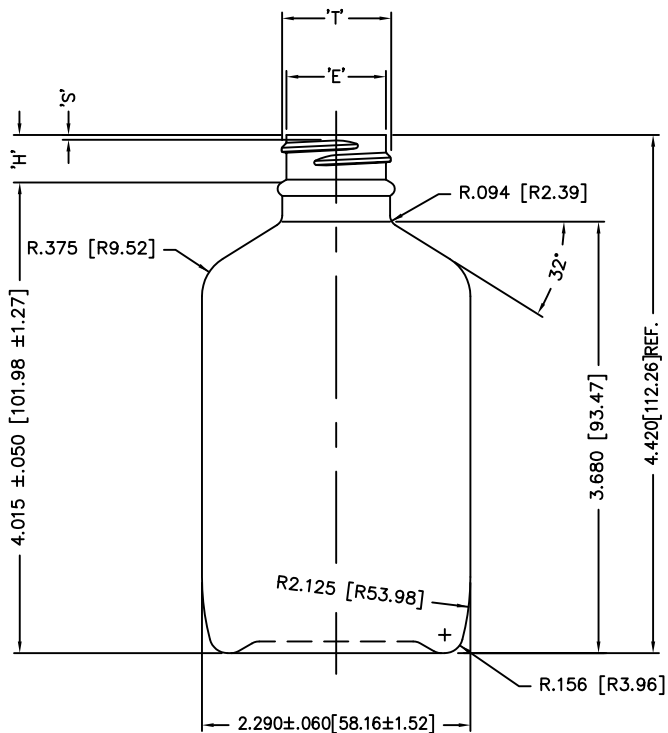


DISCLAIMER: CUSTOM BOTTLE INC.  
ASSUMES NO RESPONSIBILITY FOR:  
-FORM, FIT AND FUNCTION OF CLOSURES  
-SHELF LIFE AND/OR COMPATIBILITY OF  
INTENDED CONTENTS WITH THIS BOTTLE.

'T' AND 'E' DIMENSIONS ARE THE  
AVERAGE OF TWO MEASUREMENTS  
TAKEN 90° APART.  
THE LIMITS OF QUALITY WILL BE  
DETERMINED PER APPLICATION AS  
NECESSARY.

DIMENSIONS IN [ ] ARE  
IN MILLIMETERS  
ALL OTHERS INDICATED  
ARE IN INCHES  
This drawing subject to  
standard industry tolerances  
S.P.I.

CUSTOM BOTTLE  
APPROVAL:  
APPROVED BY **BP**  
DATE **APR. 29/10**  
CUSTOMER  
APPROVAL:  
APPROVED BY .....  
DATE .....



NO.	REV.	BY	DESCRIPTION	DATE	
NECK FINISH: M24 SP400			GRAM WT. 16±1.5		
'T'	'E'	'H'	'S'	'L'	'I'
.922 ±.008	.848 ±.008	.435 ±.015	.046 ±.015		
23.42 ±0.20	21.54 ±0.20	11.05 ±0.38	1.17 ±0.38		
HELIX <: 2' 34'		T.P.I.: 8	CUTT. DIA.: .375[9.53]		
OVERFLOW CAPACITY BEFORE DECORATING				129ml±5	
			Custom Bottle Inc. 10 Great Hill Road P.O. Box 720 Naugatuck, Connecticut 06770 203-723-6661		
			DRAWN BY: DS		
SCALE: 1-1		DATE: SEPT.2/05		DRAWING NO.: 107-6963-STOCK	
BOTTLE MAT'L: HDPE			C.B.I.D.: #24		
			MOULD NO.:		