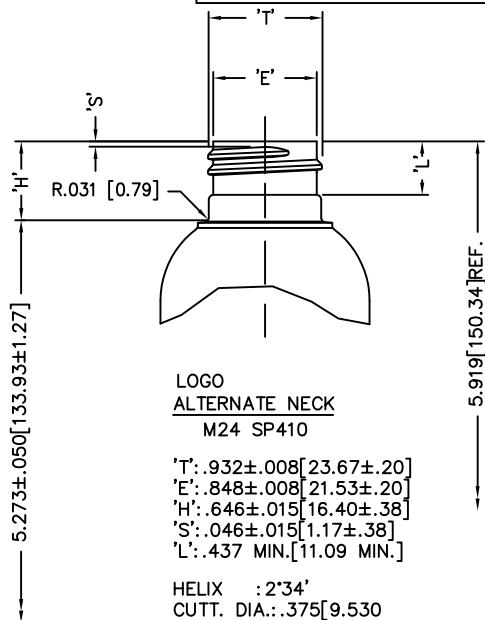
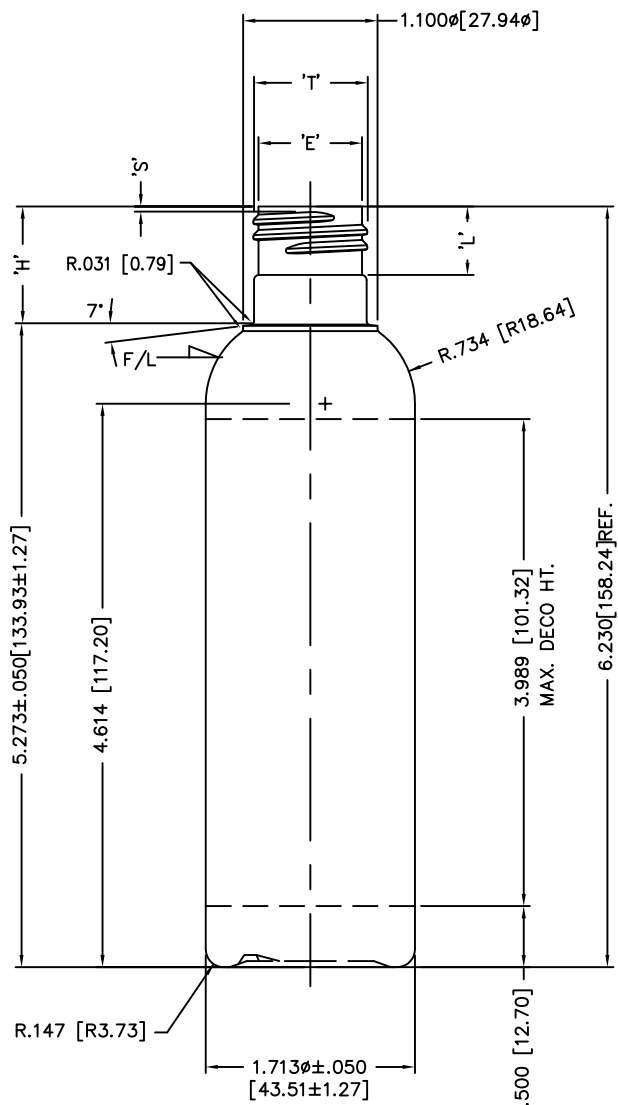


DISCLAIMER: CUSTOM BOTTLE INC.
ASSUMES NO RESPONSIBILITY FOR:
-FORM, FIT AND FUNCTION OF CLOSURES
-SHELF LIFE AND/OR COMPATIBILITY OF
INTENDED CONTENTS WITH THIS BOTTLE.

'T' AND 'E' DIMENSIONS ARE THE
AVERAGE OF TWO MEASUREMENTS
TAKEN 90° APART.
THE LIMITS OF QUALITY WILL BE
DETERMINED PER APPLICATION AS
NECESSARY.

DIMENSIONS IN [] ARE
IN MILLIMETERS
ALL OTHERS INDICATED
ARE IN INCHES
This drawing subject to
standard industry tolerances
S.P.I.

CUSTOM BOTTLE
APPROVAL:
APPROVED BY **BP**
DATE **APR. 29/10**
CUSTOMER
APPROVAL:
APPROVED BY
DATE

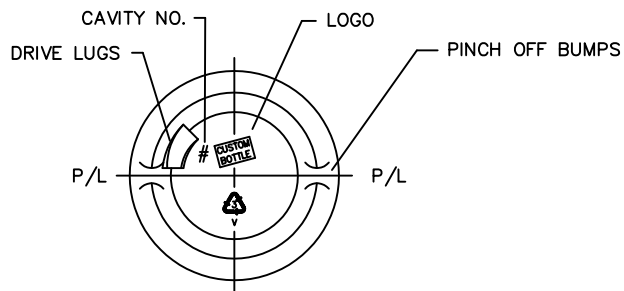


LOGO
ALTERNATE NECK
M24 SP410

'T': .932±.008 [23.67±.20]
'E': .848±.008 [21.53±.20]
'H': .646±.015 [16.40±.38]
'S': .046±.015 [1.17±.38]
'L': .437 MIN. [11.09 MIN.]

HELIX : 2°34'
CUTT. DIA.: .375 [9.530]

GRAM WT.: 19±1.5
O/F/C: 185ml±6



| | | | | | |
|--|--|--|--|--|--|
| | | | | | |
| | | | | | |
| | | | | | |
| | | | | | |
| | | | | | |

| NO. | REV. | BY | DESCRIPTION | DATE | |
|-------------------------------------|-------------|-------------|-------------------------|------------|-------|
| NECK FINISH: M24-SP415 | | | GRAM WT. 19.5±1.5 | | |
| 'T' | 'E' | 'H' | 'S' | 'L' | 'I' |
| .932 ±.008 | .848 ±.008 | .957 ±.015 | .046 ±.015 | .561 MIN. | _____ |
| 23.67 ±0.20 | 21.54 ±0.20 | 24.31 ±0.38 | 1.17 ±0.38 | 14.25 MIN. | _____ |
| HELIX <: 2° 34' | | T.P.I.: 8 | CUTT. DIA.: .375 [9.53] | | |
| OVERFLOW CAPACITY BEFORE DECORATING | | | | 187ml±6 | |



Custom Bottle Inc.
10 Great Hill Road
P.O. Box 720
Naugatuck, Connecticut 06770
203-723-6661

| | |
|-----------------------------|-----------------------------|
| DRAWN BY: ds | DESC.: 6oz TALL COSMO |
| SCALE: 1-1 DATE: MAY.1/05 | DRAWING NO.: 107-6722-STOCK |
| BOTTLE MAT'L: PVC | C.B.I.D.: #204 |
| | MOULD NO.: |