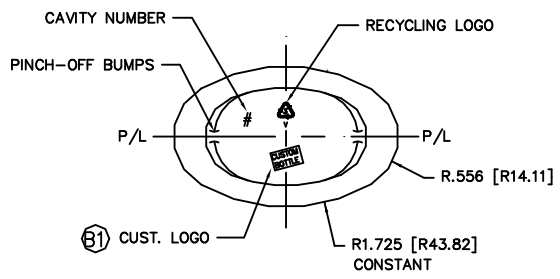
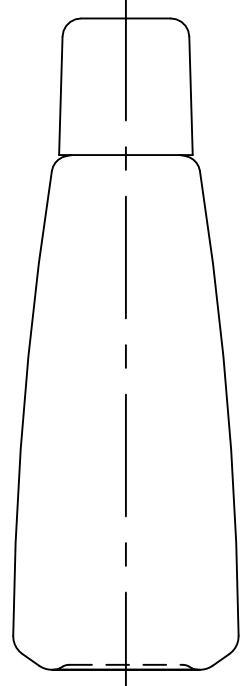
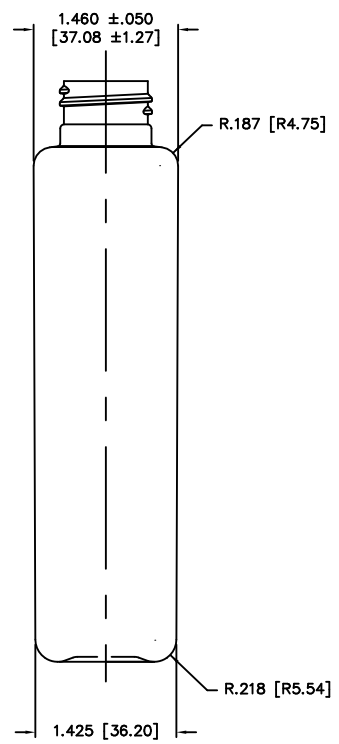
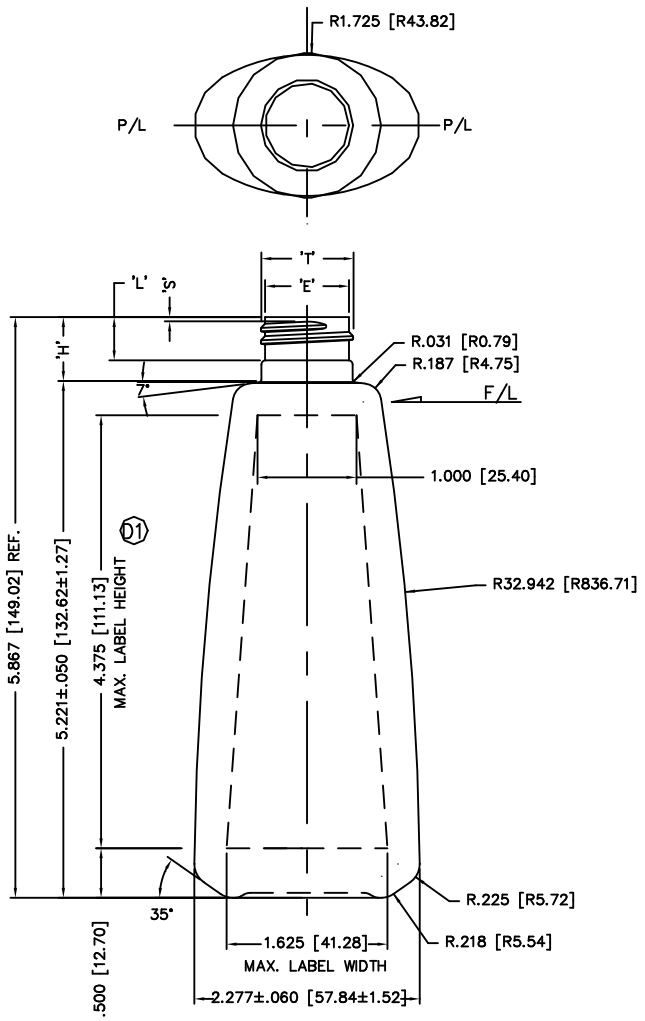


CUSTOM BOTTLE APPROVAL:
 NECK FINISH
 WEIGHT
 CAPACITY
 MATERIAL
 SPECIAL REQUESTS

CUSTOMER APPROVAL:
 APPROVED BY
 DATE

APPROVED
B.P.



Ⓕ NOTE:
 MINIMUM WALL THICKNESS .015 [0.38]

Ⓕ	CDL	NOTE ADDED	JUNE27/06
Ⓕ	CDL	WAS 18.5 ±1.0	MAY 15/06
Ⓕ	CML	LABEL PANEL REVISED	JAN.11/06
Ⓕ	CDL	GRAM WT. WAS 18 ±1.5	MAY 21/04
Ⓕ	P.D	FULL CUSTOMER LOGO ADDED	JUN 26/03
Ⓕ	P.D	DWG. FINALIZE FROM CONCEPT DWG.	JUN 12/03

NO.	REV.BY	DESCRIPTION	DATE		
NECK FINISH:		M24 SP410	GRAM WT. 20g ±1.0 Ⓕ		
'T'	'E'	'H'	'S'	'L'	'I'
.932 ±.008	.848 ±.008	.646 ±.015	.046 ±.015	.437 MIN.	
23.67 ±0.20	21.54 ±0.20	16.41 ±0.38	1.17 ±0.38	11.10 MIN.	
HELIX <: 2° 34'		T.P.I.: 8	CUTT. DIA.: .375[9.53]		

CAPACITY TO FILL LEVEL BEFORE DECORATING	177ml ±6
CAPACITY TO FILL LEVEL AFTER DECORATING	
OVERFLOW CAPACITY BEFORE DECORATING	186ml ±6
OVERFLOW CAPACITY AFTER DECORATING	

Custom Bottle Inc.
 10 Great Hill Road
 P.O. Box 720
 Naugatuck, Connecticut 06770
 203-723-6681

DRAWN BY: D	DESC.: 6oz. VENUS OVAL
SCALE: 1-1	DATE: MAY 15/03
BOTTLE MAT'L: PVC	DRAWING NO.: 107-5617-PF
CAD NAME: 107-V9080-3	C.B.I.D.: #354

This drawing subject to standard industry tolerances S.P.I.