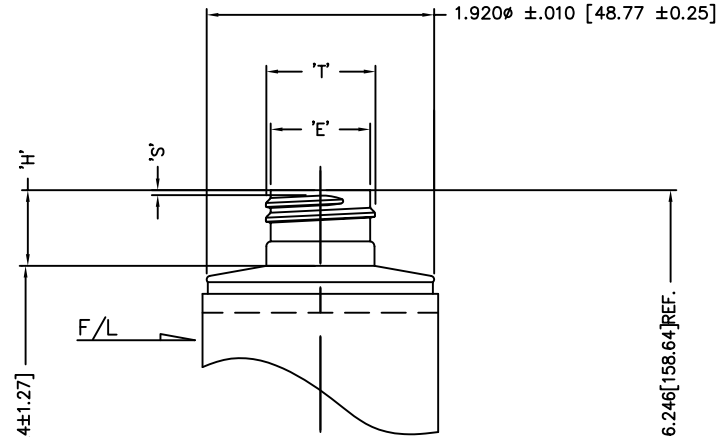
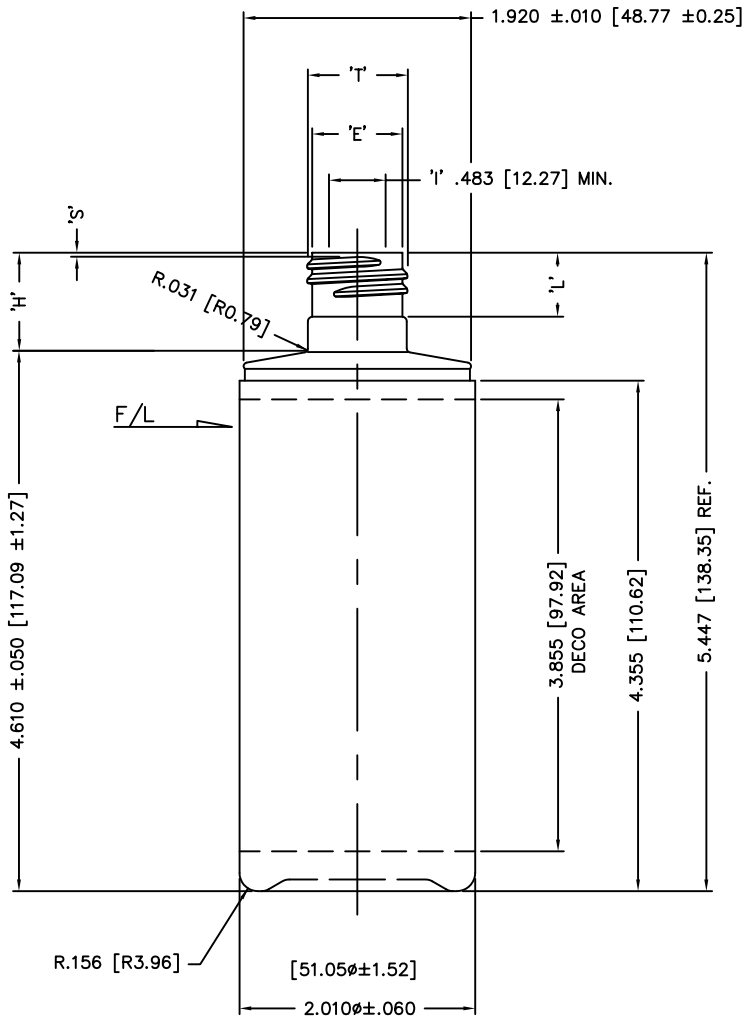


DISCLAIMER: CUSTOM BOTTLE INC. ASSUMES NO RESPONSIBILITY FOR:
 -FORM, FIT AND FUNCTION OF CLOSURES
 -SHELF LIFE AND/OR COMPATIBILITY OF INTENDED CONTENTS WITH THIS BOTTLE.

'T' AND 'E' DIMENSIONS ARE THE AVERAGE OF TWO MEASUREMENTS TAKEN 90° APART.
 THE LIMITS OF QUALITY WILL BE DETERMINED PER APPLICATION AS NECESSARY.

DIMENSIONS IN [] ARE IN MILLIMETERS
 ALL OTHERS INDICATED ARE IN INCHES
 This drawing subject to standard industry tolerances S.P.I.

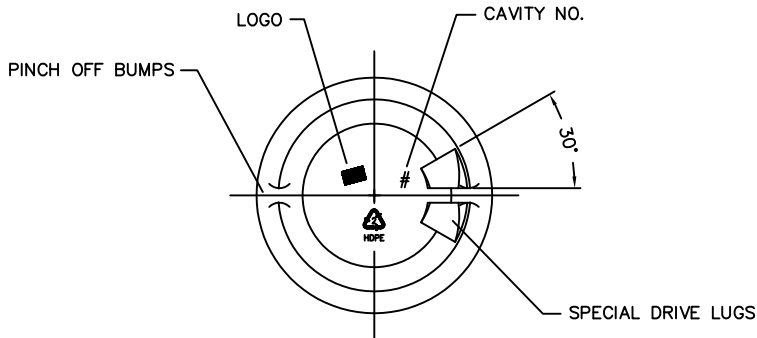
CUSTOM BOTTLE APPROVAL:
 APPROVED BY **BP**
 DATE **APR. 29/10**



ALTERNATE NECK
 M24 SP410

'T': .932 ± .008 [23.67 ± 0.20]
 'E': .848 ± .008 [21.54 ± 0.20]
 'H': .646 ± .015 [16.41 ± 0.38]
 'S': .046 ± .015 [1.17 ± 0.38]
 'L': .437 MIN. [11.10 MIN.]

HELIX : 2°34'
 T.P.I.: 8
 CUTT. DIA.: .375 [9.52]
 O/F/C: 263ml ± 7



NO.	REV.	BY	DESCRIPTION	DATE

NO.	REV.	BY	DESCRIPTION	DATE	
NECK FINISH: M22-SP415 SNAP RING SHLDR			GRAM WT. 18 ± 1.5		
'T'	'E'	'H'	'S'	'L'	'I'
.854 ± .008	.770 ± .008	.837 ± .015	.037 ± .015	.546 MIN	
21.69 ± 0.20	19.56 ± 0.20	21.26 ± 0.38	0.94 ± 0.38	13.87 MIN.	
HELIX <: 2° 49'		T.P.I.: 8	CUTT. DIA.: .375 [9.53]		
OVERFLOW CAPACITY BEFORE DECORATING				218.3ml ± 6	



Custom Bottle Inc.
 10 Great Hill Road
 P.O. Box 720
 Naugatuck, Connecticut 06770
 203-723-6661

DRAWN BY: DS	DESC.: 6oz. SNAP RING CYL.
SCALE: 1-1 DATE: MAY 25/05	DRAWING NO.: 107-6773-STOCK
BOTTLE MAT'L: HDPE	MOULD NO.:
C.B.I.D.: #274	