

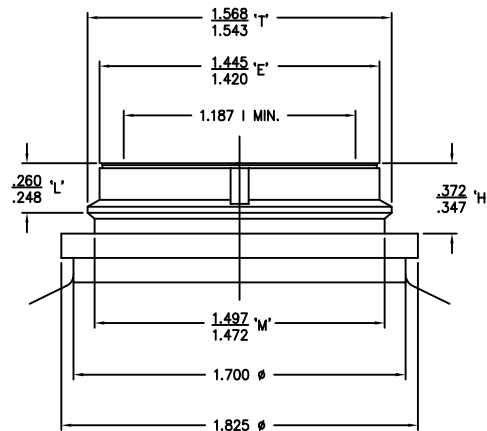
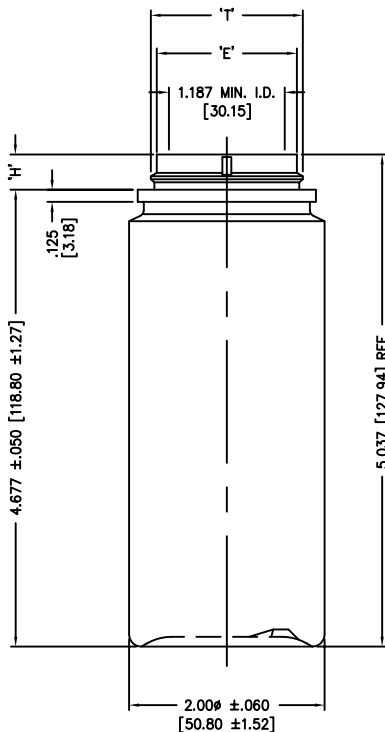
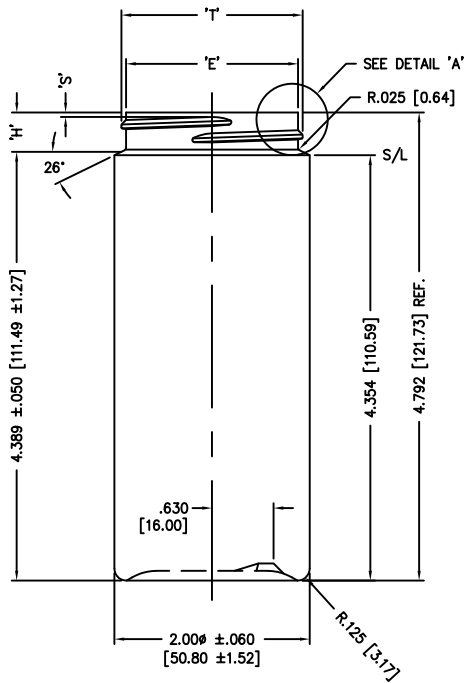
DISCLAIMER: CUSTOM BOTTLE INC.
ASSUMES NO RESPONSIBILITY FOR:
-FORM, FIT AND FUNCTION OF CLOSURES
-SHELF LIFE AND/OR COMPATIBILITY OF
INTENDED CONTENTS WITH THIS BOTTLE.

"T" AND "E" DIMENSIONS ARE THE
AVERAGE OF TWO MEASUREMENTS
TAKEN 90° APART.
THE LIMITS OF QUALITY WILL BE
DETERMINED PER APPLICATION AS
NECESSARY.

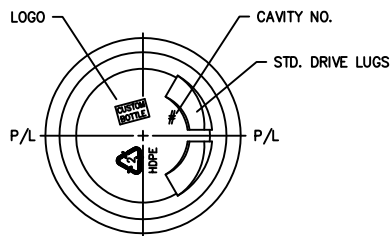
DIMENSIONS IN [] ARE
IN MILLIMETERS
ALL OTHERS INDICATED
ARE IN INCHES
This drawing subject to
standard industry tolerances
S.P.I.

CUSTOM BOTTLE
APPROVAL:
APPROVED BY **BP**
DATE **APR. 29/10**
CUSTOMER
APPROVAL:
APPROVED BY
DATE

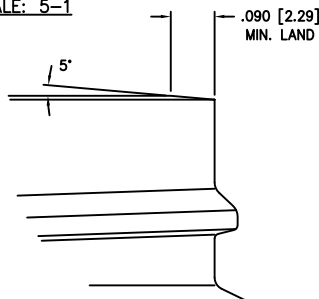
ALTERNATE NECK
P-702-A 43 mm O.I. FINISH



P-702-A 43 mm O.I. FINISH
SCALE 2:1



DETAIL 'A'
SCALE: 5-1



NO.	REV.	BY	DESCRIPTION	DATE	
NECK FINISH: M48-SP400			GRAM WT. 19 ± 1.5		
'T'	'E'	'H'	'S'	'L'	'I'
1.855 ± 0.015	1.761 ± 0.015	.403 ± 0.015	.046 ± 0.015		
47.12 ± 0.038	44.72 ± 0.38	10.24 ± 0.38	1.17 ± 0.38		
HELIX <: 1° 41'		T.P.I.: 6	CUTT. DIA.: .500		
OVERFLOW CAPACITY BEFORE DECORATING 217 ml ± 5					
CUSTOM BOTTLE		Custom Bottle Inc. 10 Great Hill Road P.O. Box 720 Naugatuck, Connecticut 06770 203-723-6661			
DRAWN BY: 001		DESC.: 6oz. W/M CYL.			
SCALE: 1-1	DATE: 14/12/95	DRAWING NO.: 107-2845-STOCK			
BOTTLE MAT'L: HDPE		MOULD NO.:			
C.B.I.D.: #180					