

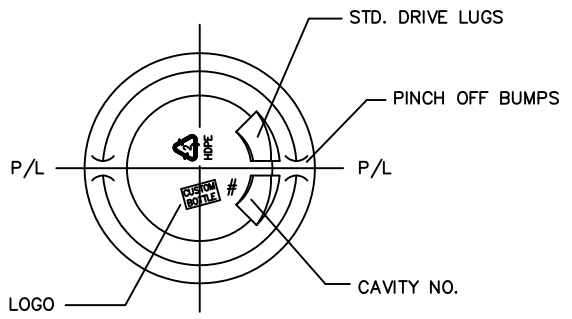
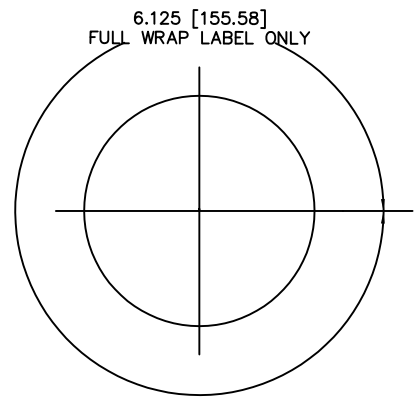
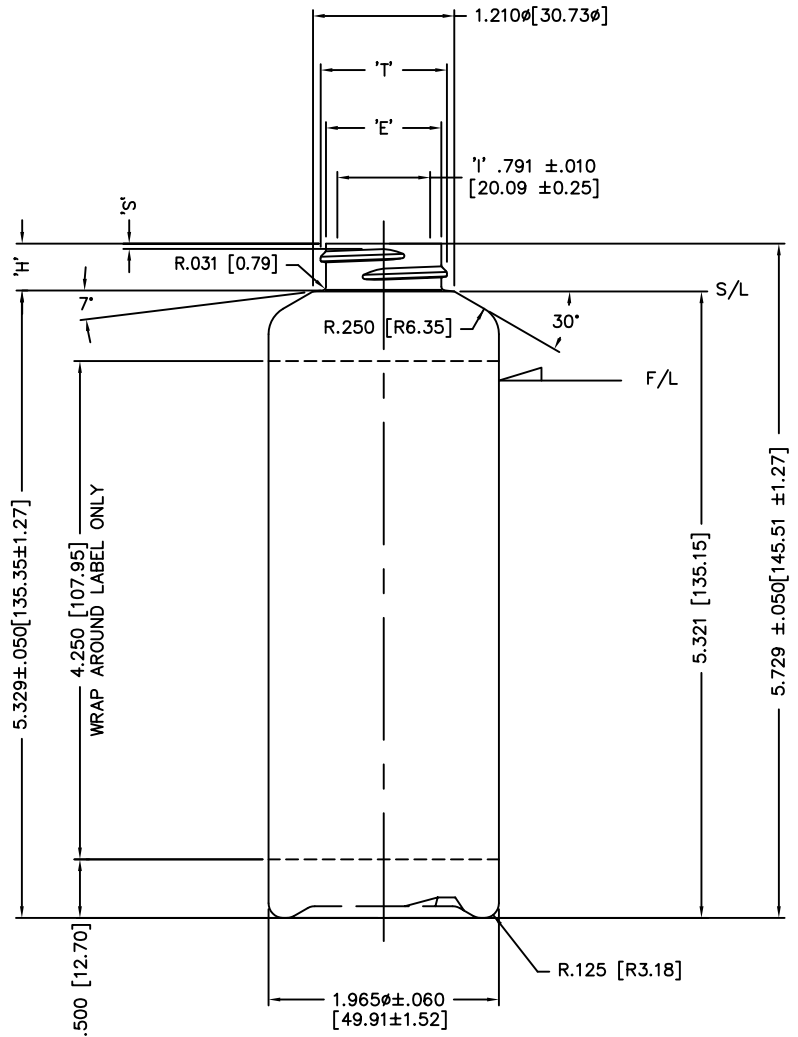
DISCLAIMER: CUSTOM BOTTLE INC. ASSUMES NO RESPONSIBILITY FOR:  
 -FORM, FIT AND FUNCTION OF CLOSURES  
 -SHELF LIFE AND/OR COMPATIBILITY OF INTENDED CONTENTS WITH THIS BOTTLE.

'T' AND 'E' DIMENSIONS ARE THE AVERAGE OF TWO MEASUREMENTS TAKEN 90° APART.  
 THE LIMITS OF QUALITY WILL BE DETERMINED PER APPLICATION AS NECESSARY.

DIMENSIONS IN [ ] ARE IN MILLIMETERS  
 ALL OTHERS INDICATED ARE IN INCHES  
 This drawing subject to standard industry tolerances S.P.I.

CUSTOM BOTTLE APPROVAL:  
 APPROVED BY **BP**  
 DATE **APR. 29/10**

CUSTOMER APPROVAL:  
 APPROVED BY .....  
 DATE .....



NO.	REV.	BY	DESCRIPTION	DATE	
NECK FINISH:			M28 SP400	GRAM WT. 21.5 ±1.5	
'T'	'E'	'H'	'S'	'L'	'I'
1.078 ±.010	.984 ±.010	.400 ±.015	.046 ±.015	_____	.791 ±.010
27.38 ±0.25	24.99 ±0.25	10.16 ±0.38	1.17 ±0.38	_____	20.09 ±0.25
HELIX <:	2' 57'	T.P.I.:	6	CUTT. DIA.:	.500[12.70]
OVERFLOW CAPACITY BEFORE DECORATING				247.5ml ±7	
			Custom Bottle Inc. 10 Great Hill Road P.O. Box 720 Naugatuck, Connecticut 06770 203-723-6661		
			DRAWN BY: ds		
SCALE: 1-1			DATE: JUNE.24/03		
BOTTLE MAT'L: HDPE			DRAWING NO.: 107-5668-STOCK		
C.B.I.D.: #368			MOULD NO.:		