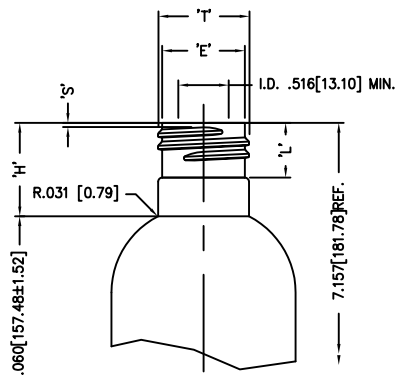
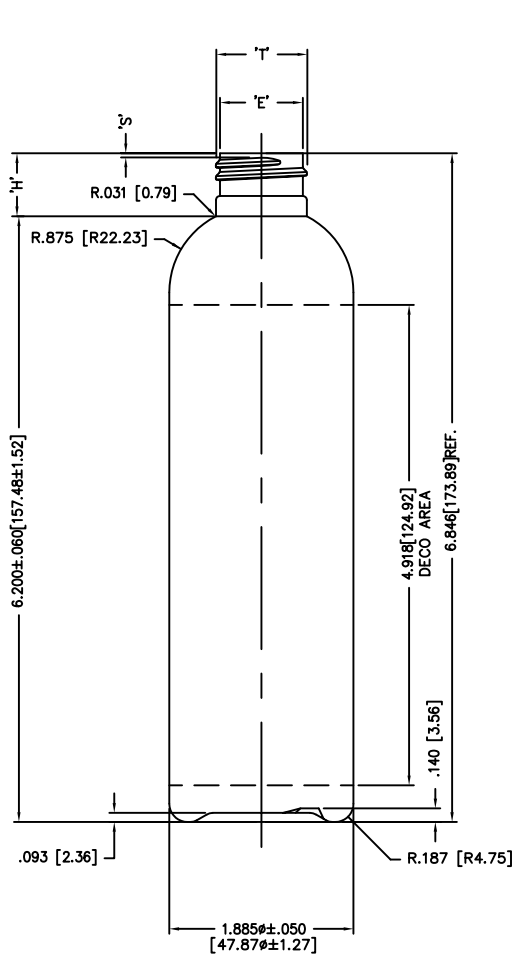


DISCLAIMER: CUSTOM BOTTLE INC.
ASSUMES NO RESPONSIBILITY FOR:
-FORM, FIT AND FUNCTION OF CLOSURES
-SHELF LIFE AND/OR COMPATIBILITY OF
INTENDED CONTENTS WITH THIS BOTTLE.

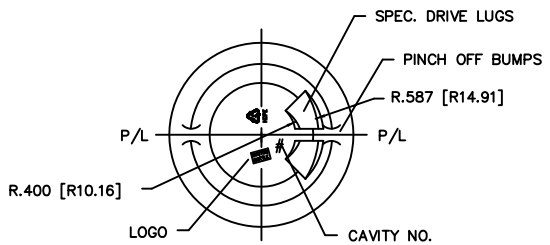
'T' AND 'E' DIMENSIONS ARE THE
AVERAGE OF TWO MEASUREMENTS
TAKEN 90° APART.
THE LIMITS OF QUALITY WILL BE
DETERMINED PER APPLICATION AS
NECESSARY.

DIMENSIONS IN [] ARE
IN MILLIMETERS
ALL OTHERS INDICATED
ARE IN INCHES
This drawing subject to
standard industry tolerances
S.P.I.

CUSTOM BOTTLE
APPROVAL:
APPROVED BY **BP**
DATE **NOV. 23/10**
CUSTOMER
APPROVAL:
APPROVED BY
DATE



ALTERNATE NECK
M24 SP415
'T': .932±.008 [23.67±.20]
'E': .848±.008 [21.54±.20]
'H': .957±.015 [24.30±.38]
'S': .046±.015 [1.17±.38]
'L': .561 [14.25] MIN.
HELIX < : 2'34
T.P.I.: 8
CUTT. DIA.: .375 [9.53]
F/L: 236ml±7
O/F/C: 258ml±7
GRAM WT.: 23±2.0



SCREEN PRINTING:
MAX. HT.: 4.918 [124.92]
MAX. WIDTH.: 5.358 [136.00] (ALLOWING 5/16 BREAK IN COPY)

NO.	REV.	BY	DESCRIPTION	DATE	
NECK FINISH: M24 SP410			GRAM WT. 22 ±2.0		
'T'	'E'	'H'	'S'	'L'	'I'
.932 ±.008	.848 ±.008	.646 ±.015	.046 ±.015	.437 MIN.	_____
23.67 ±0.20	21.54 ±0.20	16.41 ±0.38	1.17 ±0.38	11.10 MIN.	_____
HELIX <: 2' 34'		T.P.I.: 8	CUTT. DIA.: .375 [9.53]		
OVERFLOW CAPACITY BEFORE DECORATING				258ml±7	
CUSTOM BOTTLE		Custom Bottle Inc. 10 Great Hill Road P.O. Box 720 Naugatuck, Connecticut 06770 203-723-6661			
DRAWN BY: 1130		DESC.: 8oz COSMO			
SCALE: 1-1	DATE: DEC.29/03		DRAWING NO.: 107-5944-STOCK		
BOTTLE MAT'L: HDPE		MOULD NO.:			
C.B.I.D.: #272					