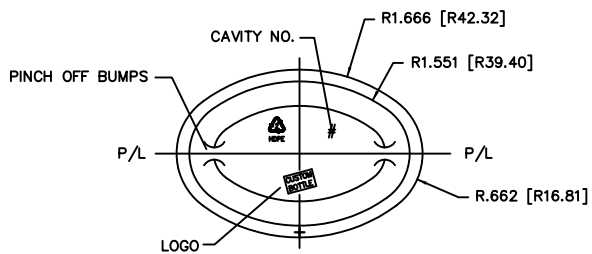
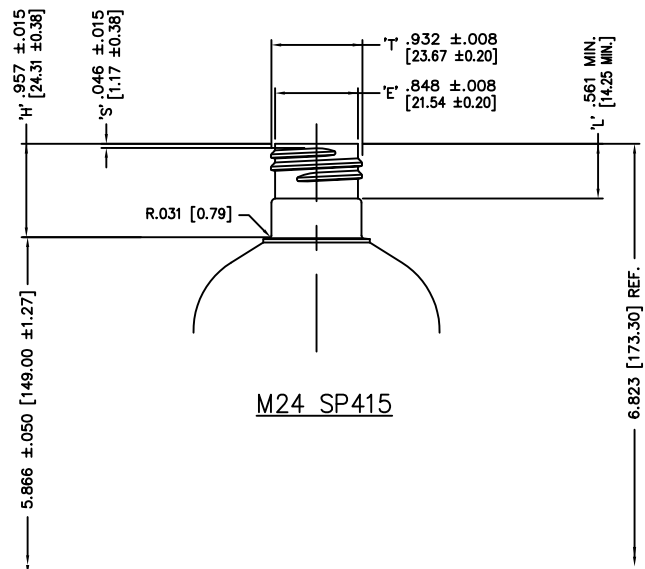
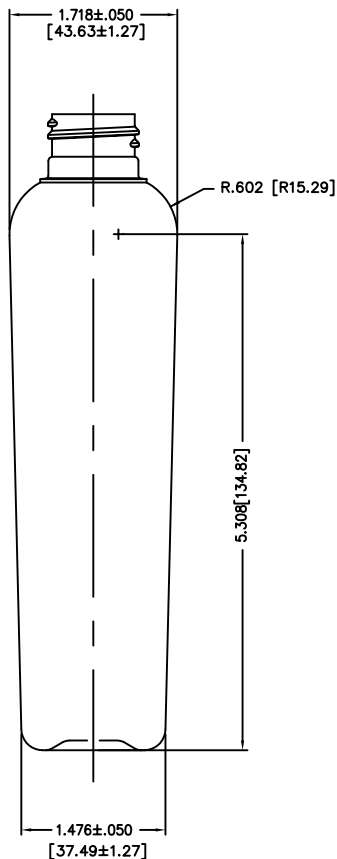
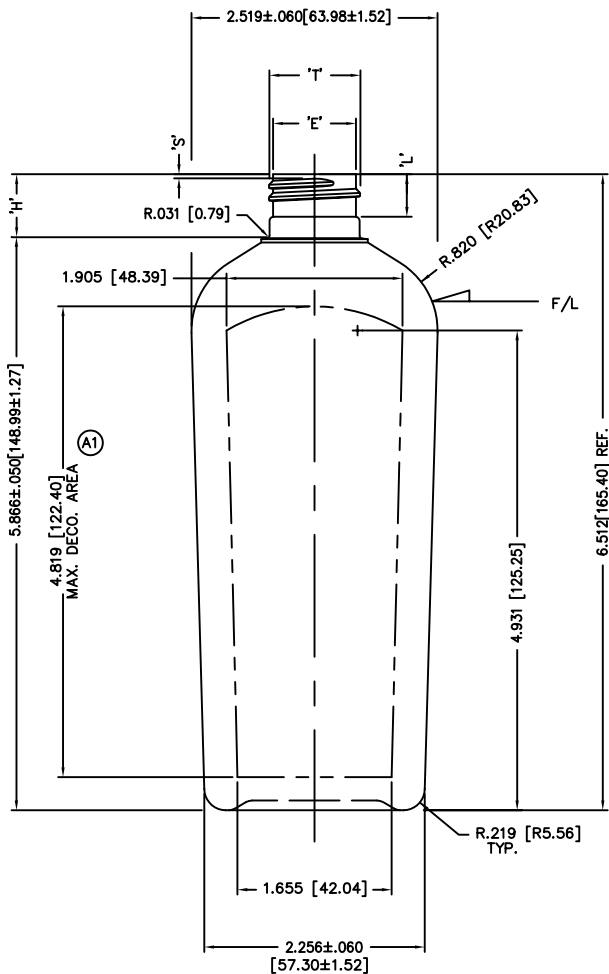


DISCLAIMER: CUSTOM BOTTLE INC.
ASSUMES NO RESPONSIBILITY FOR:
-FORM, FIT AND FUNCTION OF CLOSURES
-SHELF LIFE AND/OR COMPATIBILITY OF
INTENDED CONTENTS WITH THIS BOTTLE.

'T' AND 'E' DIMENSIONS ARE THE
AVERAGE OF TWO MEASUREMENTS
TAKEN 90° APART.
THE LIMITS OF QUALITY WILL BE
DETERMINED PER APPLICATION AS
NECESSARY.

DIMENSIONS IN [] ARE
IN MILLIMETERS
ALL OTHERS INDICATED
ARE IN INCHES
This drawing subject to
standard industry tolerances
S.P.I.

CUSTOM BOTTLE
APPROVAL:
APPROVED BY **BP**
DATE **NOV. 23/10**
CUSTOMER
APPROVAL:
APPROVED BY
DATE



| NO. | REV. | BY | DESCRIPTION | DATE | |
|-------------------------------------|-------------|-----------------|--|-----------------|-------|
| NECK FINISH: | | | M24 SP410 | GRAM WT. 24±1.5 | |
| 'T' | 'E' | 'H' | 'S' | 'L' | 'I' |
| .932 ±.008 | .848 ±.008 | .646 ±.015 | .046 ±.015 | .437 MIN. | _____ |
| 23.67 ±0.20 | 21.54 ±0.20 | 16.41 ±0.38 | 1.17 ±0.38 | 11.10 MIN. | _____ |
| HELIX <: 2' 34' | | T.P.I.: 8 | CUTT. DIA.: .375[9.53] | | |
| OVERFLOW CAPACITY BEFORE DECORATING | | | | 260ml±7 | |
| | | | Custom Bottle Inc. 10 Great Hill Road P.O. Box 720 Naugatuck, Connecticut 06770 203-723-6661 | | |
| | | | DRAWN BY: 1130 | | |
| SCALE: 1-1 | | DATE: JAN.27/06 | | | |
| BOTTLE MAT'L: HDPE | | | DRAWING NO.: 107-7204-STOCK | | |
| C.B.I.D.: #234 | | | MOULD NO.: | | |