

Ⓐ1 ALTERNATE NECK
M24-SP415

'T': .932±.008 [23.67±.20]
 'E': .848±.008 [21.54±.20]
 'H': .957±.015 [24.31±.38]
 'S': .046±.010 [1.17±.25]
 'L': .561 MIN. [14.25 MIN.]
 'W': .084 MAX. [2.13 MAX.]
 HELIX <: 2° 34'
 T.P.I.: 8
 CUTT. DIA.: .375 [9.53]

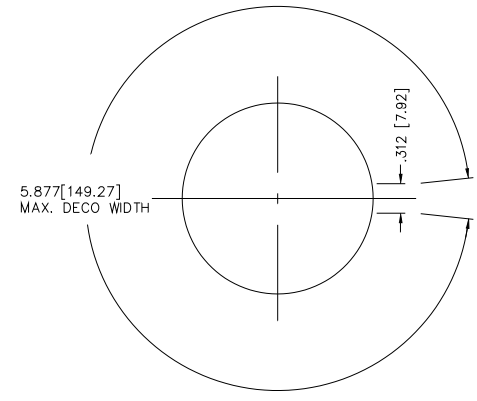
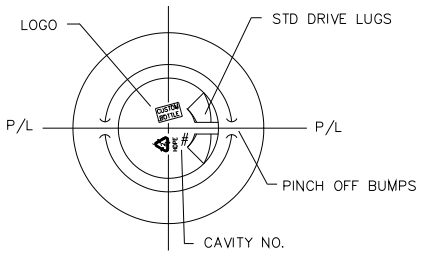
Ⓐ1 ALTERNATE NECK
24mm SNAP

'T': .900±.008 [22.86±.20]
 'E': .830±.008 [21.08±.20]
 'H': .697±.015 [17.70±.38]
 'S': .377±.010 [9.57±.25]

CUSTOM BOTTLE APPROVAL:
 APPROVED

NECK FINISH:
 WEIGHT:
 CAPACITY:
 MATERIAL:
 SPECIAL REQUESTS:

CUSTOMER APPROVAL:
 APPROVED BY:
 DATE:



A1	CDL	ADDED ALT. NECK M24-SP415 & 24mm SNAP	JULY 3/08		
NO.	REV.	DESCRIPTION	DATE		
NECK FINISH:		M24 SP410	GRAM WT. 24±1.5		
'T'	'E'	'H'	'S'	'L'	'I'
.932 ±.008	.848 ±.008	.646 ±.015	.046 ±.015	.437 MIN.	_____
23.67 ±0.20	21.54 ±0.20	16.41 ±0.38	1.17 ±0.38	11.10 MIN.	_____
HELIX <: 2° 34'		T.P.I.: 8	CUTT. DIA.: .375 [9.53]		
CAPACITY TO FILL LEVEL BEFORE DECORATING				236ml±7	
CAPACITY TO FILL LEVEL AFTER DECORATING				_____	
OVERFLOW CAPACITY BEFORE DECORATING				265ml±7	
OVERFLOW CAPACITY AFTER DECORATING				_____	



Custom Bottle Inc.
 10 Great Hill Road
 P.O. Box 720
 Naugatuck, Connecticut 06770
 203-723-6681

DRAWN BY:	002	DESC.:	8oz MALIBU ROUND
SCALE:	1-1	DATE:	JULY.13/07
BOTTLE MAT'L:	HDPE	DRAWING NO.:	107-7897-PA
CAD NAME:	PD\	C.B.I.D.:	#261

This drawing subject to standard industry tolerances S.P.I.