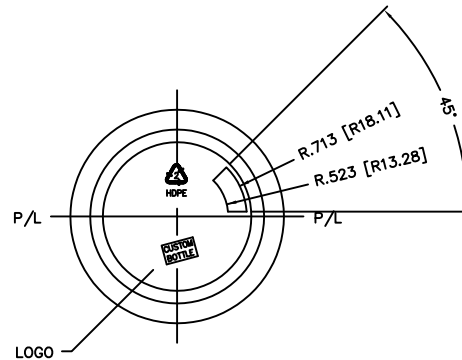
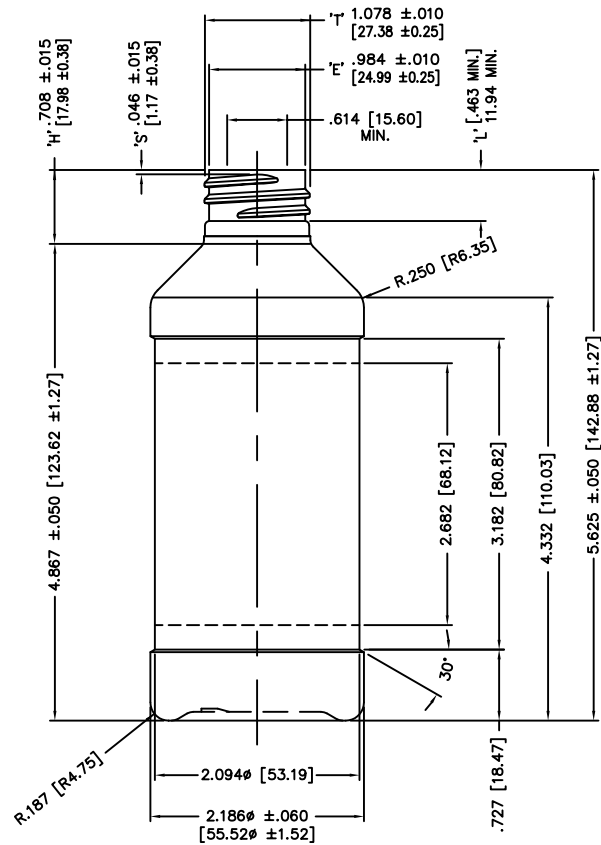


DISCLAIMER: CUSTOM BOTTLE INC.
ASSUMES NO RESPONSIBILITY FOR:
-FORM, FIT AND FUNCTION OF CLOSURES
-SHELF LIFE AND/OR COMPATIBILITY OF
INTENDED CONTENTS WITH THIS BOTTLE.

'T' AND 'E' DIMENSIONS ARE THE
AVERAGE OF TWO MEASUREMENTS
TAKEN 90° APART.
THE LIMITS OF QUALITY WILL BE
DETERMINED PER APPLICATION AS
NECESSARY.

DIMENSIONS IN [] ARE
IN MILLIMETERS
ALL OTHERS INDICATED
ARE IN INCHES
This drawing subject to
standard industry tolerances
S.P.I.

CUSTOM BOTTLE
APPROVAL:
APPROVED BY **BP**
DATE **NOV. 23/10**
CUSTOMER
APPROVAL:
APPROVED BY
DATE



SCREEN PRINTING INFORMATION:

MAX. HEIGHT: 2.682 [68.12]
MAX. WIDTH ALLOWING .312 [7.94] BREAK 6.106 [155.09]

NO.	REV.	BY	DESCRIPTION	DATE	
NECK FINISH: M28 SP410			GRAM WT. 21 ±1.5		
'T'	'E'	'H'	'S'	'L'	'I'
1.078 ±.010	.984 ±.010	.708 ±.015	.046 ±.015	.463 MIN.	_____
27.38 ±0.25	24.99 ±0.25	16.41 ±0.38	1.17 ±0.38	11.94 MIN.	_____
HELIX <: 2' 57'		T.P.I.: 6	CUTT. DIA.: .500 [12.70]		
OVERFLOW CAPACITY BEFORE DECORATING				257ml ±7	
			Custom Bottle Inc. 10 Great Hill Road P.O. Box 720 Naugatuck, Connecticut 06770 203-723-6661		
			DRAWN BY: 1130		
SCALE: 1-1		DATE: FEB.28/06		DRAWING NO.: 107-7255-STOCK	
BOTTLE MAT'L: HDPE			C.B.I.D.: #442		
			MOULD NO.:		