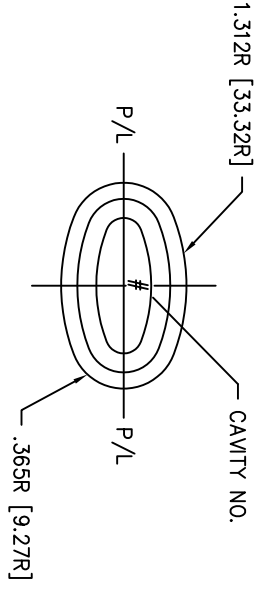
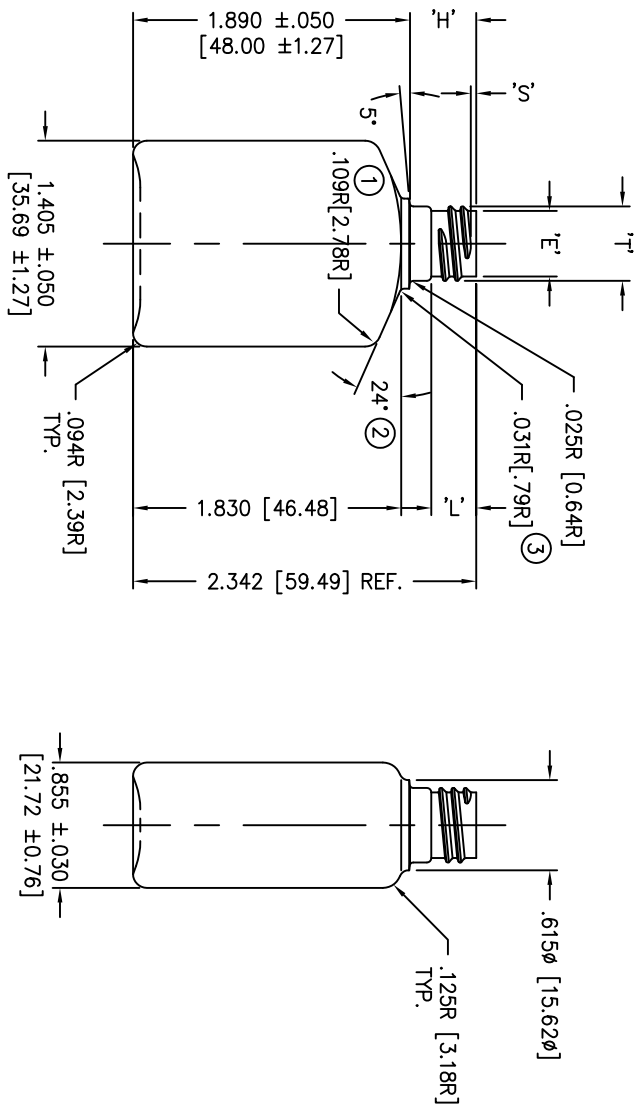


CUSTOM BOTTLE
 APPROVAL: **APPROVED**
 NECK FINISH: _____
 WEIGHT: **2.30**
 CAPACITY: _____
 MATERIAL: **PC**
 SPECIAL REQUESTS: _____
 CUSTOMER APPROVAL: _____
 APPROVED BY: _____
 DATE: _____



NO.	REV.	BY	DESCRIPTION	DATE
③			.031R [7.9R] WAS .063R [1.59R]	4/11/94
②			24° WAS 22°	" " "
①			.109R [2.78R] WAS .125R [3.18R]	" " "

NECK FINISH: M3-SP415		GRAM WT. 6 ±0.75	
T	E	H	S
.508 ±.006	.448 ±.006	.452 ±.015	.037 ±.015
12.90 ±0.15	11.38 ±0.15	11.48 ±0.38	0.94 ±0.38
HELIX <: 3° 11'	T.P.L.: 12	CUTT. DIA.: .375	

CAPACITY TO FILL LEVEL BEFORE DECORATING _____
 CAPACITY TO FILL LEVEL AFTER DECORATING _____
 OVERFLOW CAPACITY BEFORE DECORATING _____
 OVERFLOW CAPACITY AFTER DECORATING _____

Custom Bottle Inc.
 10 Great Hill Road
 P.O. Box 720
 Naugatuck, Connecticut 06770
 203-723-6300

DRAWN BY: 1130
 SCALE: 1-1
 DATE: 11/10/94
 BOTTLE MAT'L: PVC
 DESC.: 1/2oz. CUSTOM OVAL
 DRAWING NO.: 107-2462-PA-2
 C.B.I.D.: #110
 CAD NAME:

This drawing subject to standard industry tolerances S.P.I.